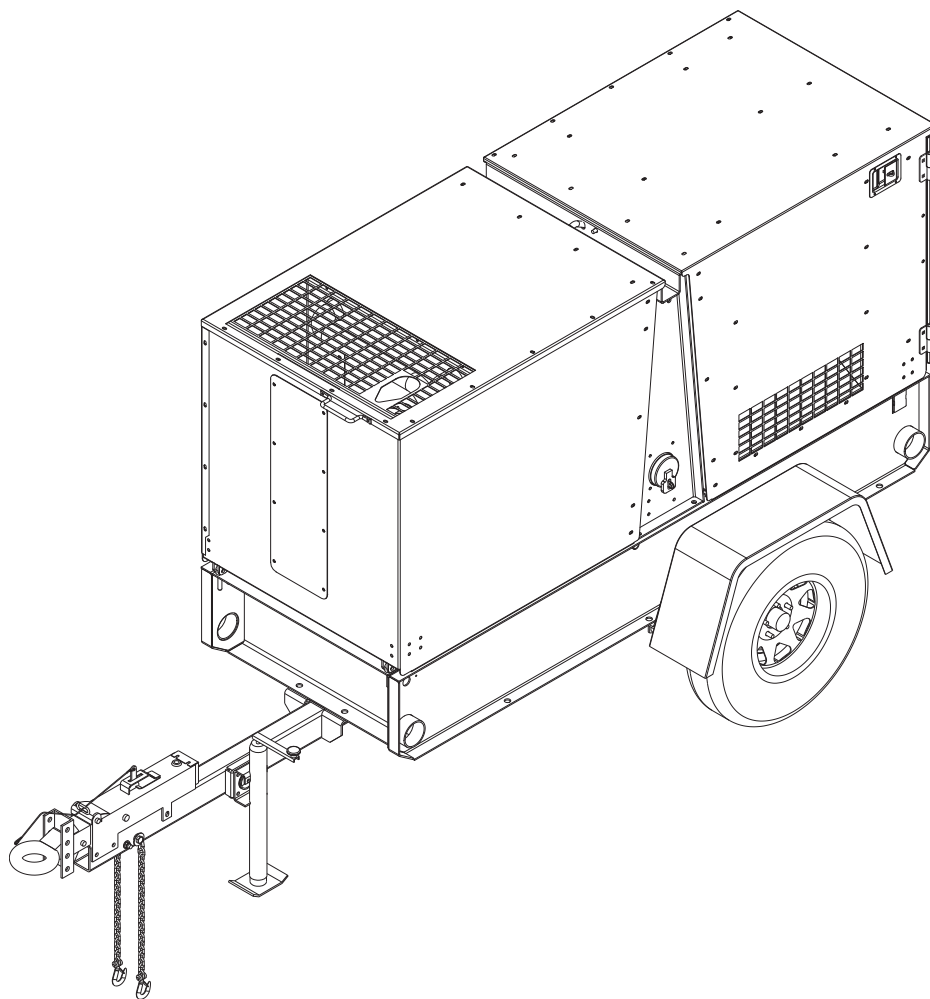


GENERAC[®] | **MOBILE
PRODUCTS**

**DIESEL GENERATOR
MMG45FHK • MMG45FHKCAN
MMG45FHKCAN6**



PARTS MANUAL

INTRODUCTION

Before servicing this machine, make sure the engine start switch is turned to off "O", the circuit breakers are open (off, "O"), the emergency stop switch is closed (pushed in), and the negative (-) terminal on battery is disconnected. Attach a "DO NOT START" sign to the control panel. This will notify everyone that the unit is being serviced and will reduce the chance of someone inadvertently trying to start the unit. If the unit is connected to a remote start or transfer switch, make sure the remote switch is also off and tagged.

▲ WARNING

Before operating or servicing this equipment, read and understand the Generac Operating Manual which was included with the unit when shipped from the factory. Failure to do so increases the risk of injury to yourself or others.

**Generac Mobile Products LLC
215 Power Drive • Berlin, WI 54923
U.S.A.
Phone: 920-361-4442
FAX: 920-361-4416
Toll Free: 1-800-926-9768
www.generacmobile.com**

For technical or parts QUESTIONS, please contact Generac Mobile Products Customer Support or Technical Support team at toll free at 1-800-926-9768. Please have your serial number available.

To ORDER SERVICE PARTS, please contact the dealer from which you purchased the unit, or call Generac Mobile Products to locate a dealer in your area.

Engine Make: _____
Engine Serial Number: _____
Engine Model Number: _____
Generator Make: _____
Generator Model Number: _____
Generator Serial Number: _____
Unit Model Number: _____
Unit Serial Number: _____

▲ WARNING

**CALIFORNIA PROPOSITION 65 WARNING:
Diesel engine exhaust and some of its constituents are known to the state of California to cause cancer, birth defects and other reproductive harm.**

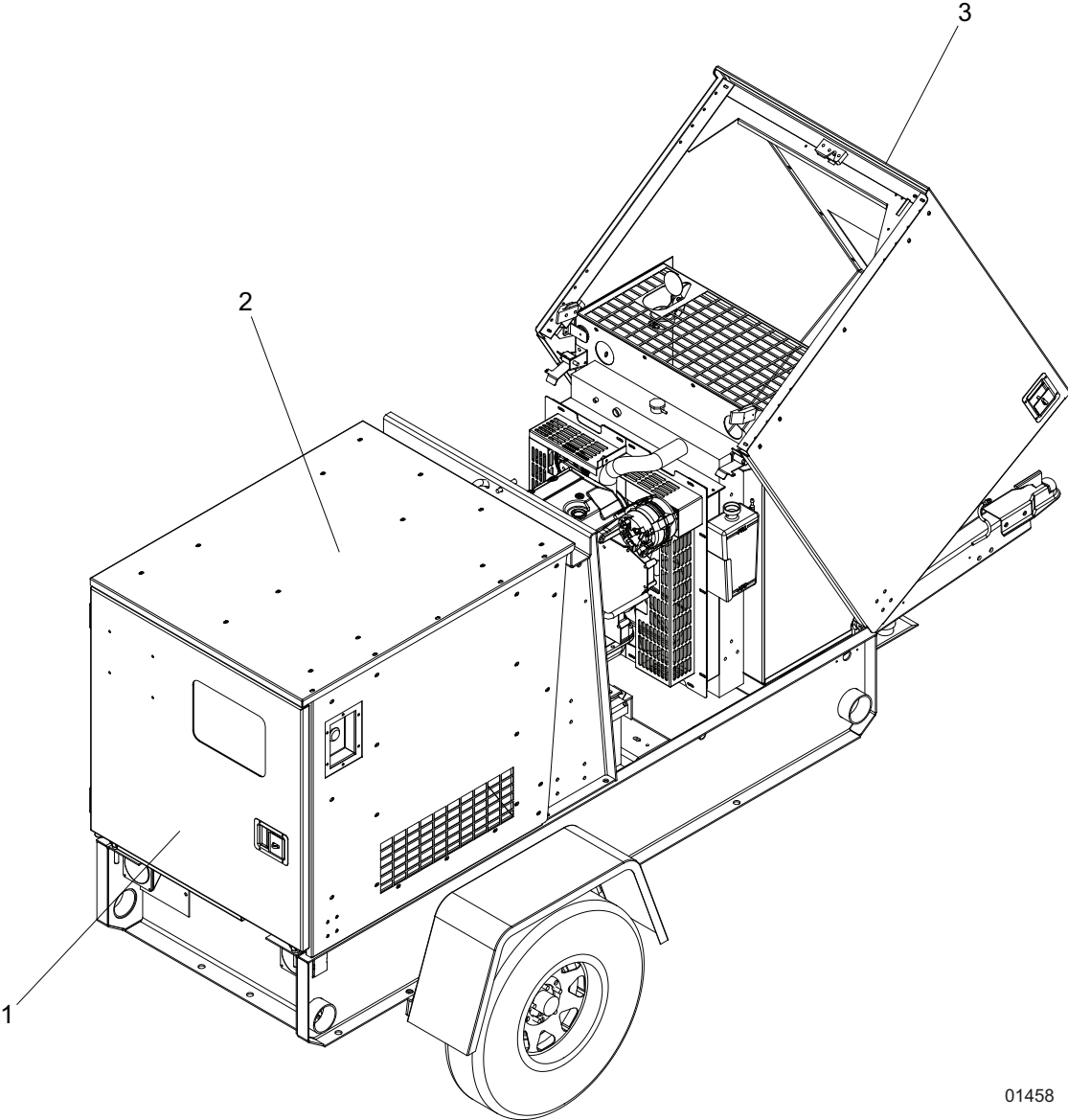
▲ WARNING

**CALIFORNIA PROPOSITION 65 WARNING:
This product contains or emits chemicals known to the state of California to cause cancer, birth defects, and other reproductive harm.**

TABLE OF CONTENTS

	Page
INTRODUCTION	2
ENCLOSURE COMPONENTS	4
UNIT DECALS - LEFT SIDE	6
UNIT DECALS - RIGHT SIDE	7
UNIT DECALS - FRONT, BACK & CONTROL PANELS - MMG45FHK, MMG45FHKCAN	8
UNIT DECALS - FRONT, BACK & CONTROL PANELS - MMG45FHKCAN6	9
LUG DOOR ASSEMBLY	10
LUG PANEL ASSEMBLY	12
CONTROL PANEL ASSEMBLY	14
CONTROL BOX ASSEMBLY (1 OF 2)	16
CONTROL BOX ASSEMBLY (2 OF 2)	18
CAM LOCK PANEL ASSEMBLY	20
RECEPTACLE PANEL ASSEMBLY	22
CIRCUIT BREAKER ASSEMBLY	24
EMERGENCY STOP SWITCH ASSEMBLY	26
AIR FILTER ASSEMBLY	28
EXHAUST SYSTEM ASSEMBLY	30
FUEL TANK ASSEMBLY	32
ENGINE ASSEMBLY	34
CLUTCHED FAN ASSEMBLY - MMG45FHKCAN, MMG45FHKCAN6	36
GENERATOR ASSEMBLY	38
SKID ASSEMBLY	40
LIFT STRUCTURE ASSEMBLY	42
COOLING SYSTEM ASSEMBLY	44
ENGINE TO SKID ASSEMBLY	46
FRONT HOOD ASSEMBLY (1 OF 2)	48
FRONT HOOD ASSEMBLY (2 OF 2)	50
REAR HOOD ASSEMBLY (1 OF 2)	52
REAR HOOD ASSEMBLY (2 OF 2)	54
CONTROL DOOR ASSEMBLY	56
HOODS TO SKID ASSEMBLY	58
TRAILER ASSEMBLY - SINGLE AXLE	60
TRAILER ASSEMBLY - TANDEM AXLE	62
TRAILER HITCH OPTIONS	64
BRAKE LINES - SINGLE AXLE	66
BRAKE LINES - TANDEM AXLE	68
NOTES	70

ENCLOSURE COMPONENTS

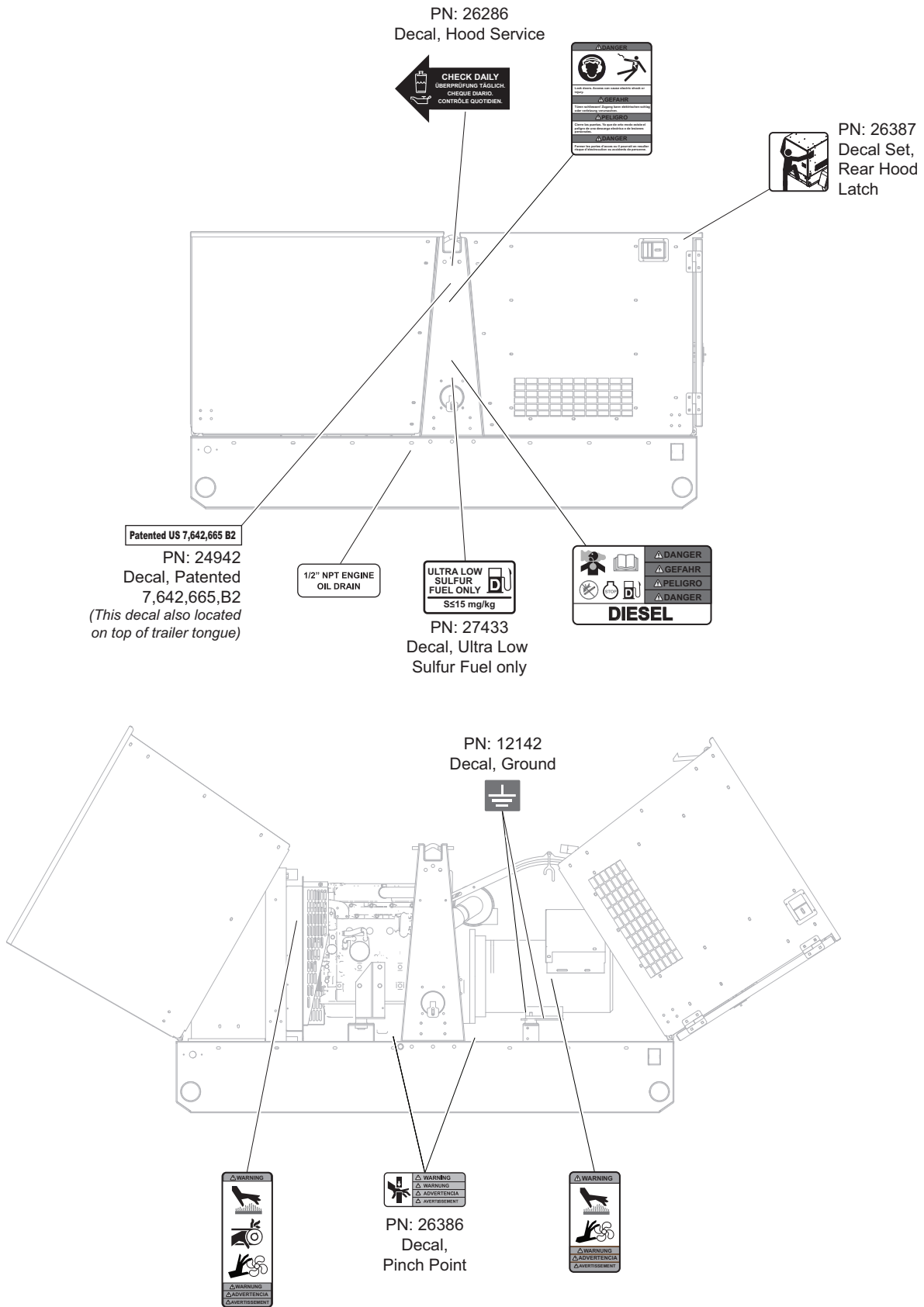


01458

ENCLOSURE COMPONENTS

ITEM	PAGE NO.	QTY	DESCRIPTION	NOTES
1	<i>Page 56</i>	1	Control door assembly	
2	<i>Page 52</i>	1	Rear hood assembly	
3	<i>Page 48</i>	1	Front hood assembly	

UNIT DECALS - LEFT SIDE



Note: All safety and operating decals are located on decal sheet 23599, unless otherwise noted.

01482

UNIT DECALS - RIGHT SIDE

PN: 26286
Decal, Hood Service



FAN CLUTCH

PN: 31024
Decal, Fan Clutch
(Optional for MMG45FHK
Standard for MMG45FHKCAN
and MMG45FHKCAN6)
*Located on relay inside
control box.*

ENGINE BLOCK HEATER

PN: 28964
Decal, Engine Block Heater
(Optional for MMG45FHK
Standard for MMG45FHKCAN
and MMG45FHKCAN6)
Located on outlet panel.

BATTERY CHARGER

PN: 21259
Decal, Battery Charger
(Optional)
Located on outlet panel.

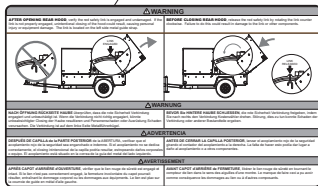
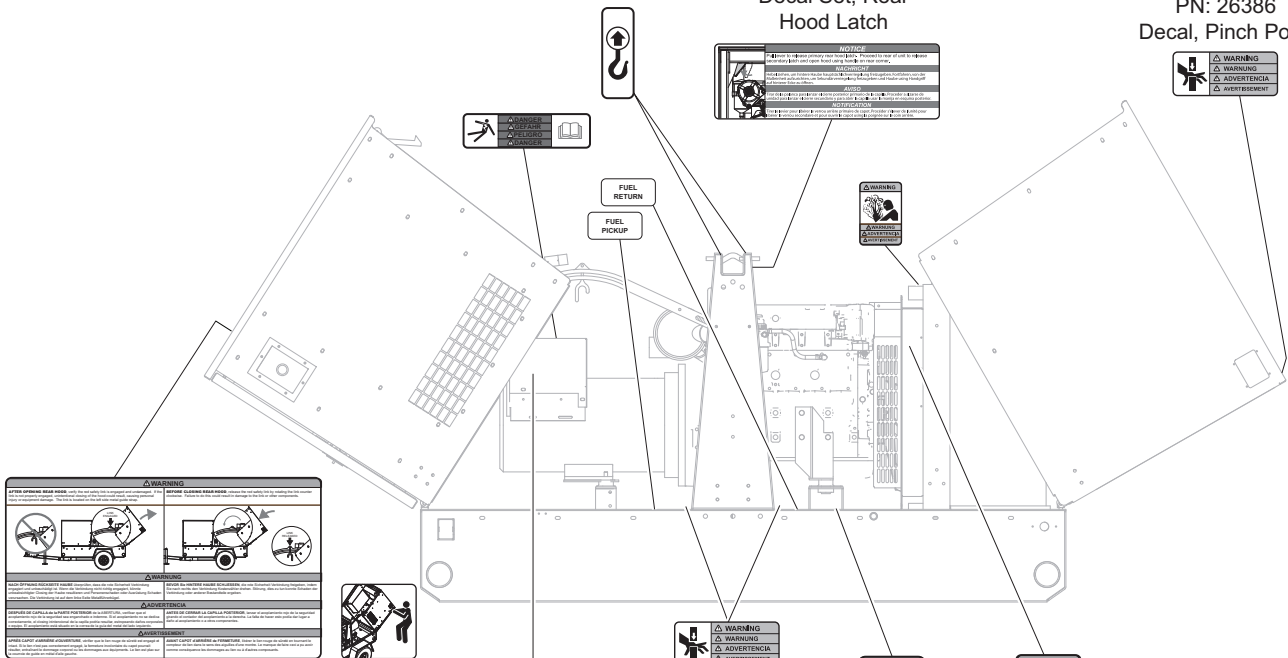
Patented US 7,642,665 B2

PN: 24942
Decal, Patented 7,642,665,B2
(This decal also located
on top of trailer tongue)

1/2" NPT ENGINE
COOLANT DRAIN

PN: 26387
Decal Set, Rear
Hood Latch

PN: 26386
Decal, Pinch Point



PN: 26387
Decal Set, Rear Hood Latch

VOLTAGE REGULATOR
CIRCUIT BREAKERS
PN: 34550
Decal, 600V
Circuit Breakers
(MMG45FHKCAN6 only)
*Located on back
of generator box.*

PN: 26386
Decal,
Pinch Point



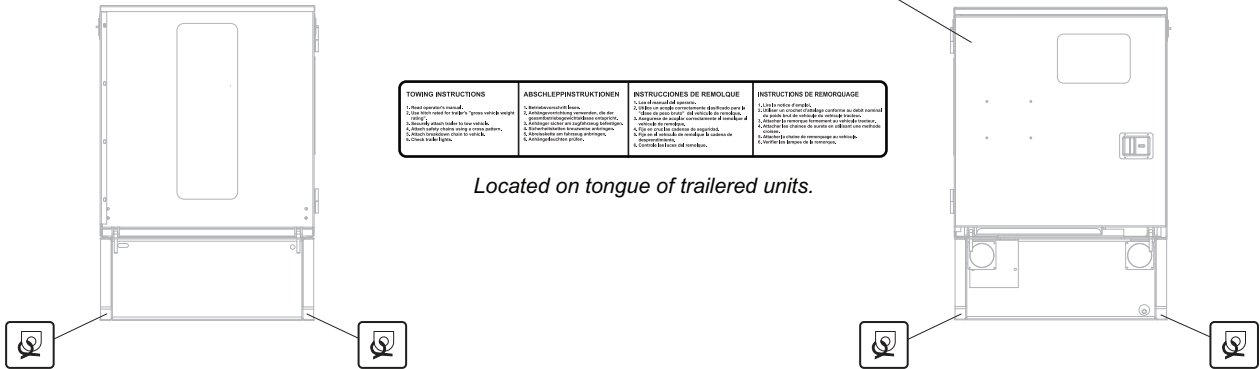
01481

Note: All safety and operating decals are located on decal sheet 23599, unless otherwise noted.

UNIT DECALS - FRONT, BACK & CONTROL PANELS - MMG45FHK, MMG45FHKCAN

PN: 26387
Decal Set, Rear
Hood Latch

NOTICE
TO OPEN HOOD - Release primary lock located under the lift structure. Open front hood to access.
AVVERTIMENTO
PER APRIRE IL COPERTTORE, rilasciare il lucchetto primario situato sotto la struttura di sollevamento. Aprire il cofano anteriore per accedere.
NOTICE
TO OPEN HOOD - Release primary lock located under the lift structure. Open front hood to access.
AVVERTIMENTO
PER APRIRE IL COPERTTORE, rilasciare il lucchetto primario situato sotto la struttura di sollevamento. Aprire il cofano anteriore per accedere.



TOWING INSTRUCTIONS 1. Use 100' cable for the 6' hitch. Verify vehicle weight. 2. NEVER exceed the vehicle's tow capacity. 3. Always safety chains across a cross member. 4. Do not tow on a dolly. 5. Do not tow uphill.	ABSCHLEPPINSTRUKTIONEN 1. Verwenden Sie ein 100' Seil für den 6' Haken. Überprüfen Sie das Gewicht des Fahrzeuges. 2. Übersteigen Sie niemals die zulässige Gesamtgewichtslast des Fahrzeuges. 3. Verriegeln Sie immer die Ketten über einen Querschnitt. 4. Ziehen Sie nicht auf einem Aufräder. 5. Ziehen Sie nicht bergauf.	INSTRUCCIONES DE REMOLQUE 1. Utilice un cable de 100' para el gancho de 6'. Verifique el peso del vehículo. 2. Nunca exceda la capacidad de carga total del vehículo. 3. Siempre asegure los cadenas a un miembro de cruce. 4. No tire en un remolcador. 5. No tire cuesta arriba.	INSTRUCTIONS DE REMORQUAGE 1. Utilisez un câble de 100' pour le crochet de 6'. Vérifiez le poids du véhicule. 2. Ne dépassez jamais la capacité de charge totale du véhicule. 3. Toujours sécurisez les chaînes sur un membre de traverse. 4. Ne tirez pas sur un remorqueur. 5. Ne tirez pas en pente ascendante.
---	--	--	--

Located on tongue of trailered units.

OPERATING INSTRUCTIONS

STARTUP SEQUENCE:
1. READ OPERATOR'S MANUAL.
2. CHECK OIL.
3. CHECK FUEL LEVEL.
4. CHECK ALL FUSE LEVELS.

MANUAL STARTING:
1. DISCONNECT ALL EXTERNAL LOADS.
2. LOCATE VOLTS SELECTOR SWITCH.
3. LOCATE "STOP" SWITCH.
4. POSITION MANUAL START SWITCH TO "START/STOP" POSITION.
5. ENGINE WILL START ATTEMPT TO START.
6. STOP.

STOPPING SEQUENCE:
1. STOP OPERATOR'S MANUAL.
2. DISCONNECT ALL EXTERNAL LOADS.
3. POSITION ENGINE SWITCH TO "STOP" POSITION.
4. FILL FUEL TANK.

INSTRUCCIONES PARA LA PUESTA EN MARCHA:
1. LEER EL MANUAL DEL OPERADOR.
2. REVISAR EL NIVEL DE ACEITE.
3. REVISAR EL NIVEL DE LA PUESTA DE FUELO.
4. REVISAR EL NIVEL DE LOS FUSIBLES.

ARRANQUE MANUAL:
1. DESCONECTAR TODAS LAS CARGAS EXTERNAS.
2. LOCALIZAR EL SELECCIONADOR DE VOLTAJES.
3. LOCALIZAR EL BOTÓN DE "PARAR".
4. POSICIONAR EL INTERRUPTOR DE ARRANQUE DEL MOTOR EN LA POSICIÓN "ARRANQUE/STOP".
5. EL MOTOR DEBERÍA ARRANCAR Y DETENERSE.
6. DETENERSE.

DETENERSE DEL MOTOR:
1. DETENERSE TODAS LAS CARGAS EXTERNAS.
2. POSICIONAR EL INTERRUPTOR DE ARRANQUE DEL MOTOR EN LA POSICIÓN "STOP".
3. REVISAR EL NIVEL DE LA PUESTA DE FUELO.

WARNING
NEVER CHANGE SWITCH POSITION WITH ENGINE RUNNING. RESULT IN DAMAGE TO MACHINE.
AVVERTIMENTO
NON CAMBIARE LA POSIZIONE DEL SELEZIONATORE CON IL MOTORE IN MARCIA. RISCHIO DI DANNI ALLA MACCHINA.
AVERTISSEMENT
NE JAMAIS CHANGER LA POSITION DE L'INTERDISCUTEUR PENDANT QUE LE MOTEUR EST EN MARCHE. IL POURRAIT EN RESULTER UN RISQUE DE DOMMAGES A LA MACHINE.

PN: 23827
Decal,
Controller
Switches

STARTING THE GENERATOR
COMANDO DEL GENERATORE
COMENCER TO GENERATOR

1. TURN CONTROL SWITCH "ON"
2. PUSH "ENGINE START"

STOPPING THE GENERATOR
PARADA DEL GENERADOR
ARRÊT DU GENERATEUR

1. PUSH "ENGINE STOP"
2. TURN CONTROL SWITCH "OFF"

PN: 23846
Decal, Controller
Start Instructions

PN: 27733
Decal, Panel Light
Switch Option

NEUTRAL BONDED TO FRAME
NEUTRAL BONDED TO FRAME
NEUTRAL BONDED TO FRAME

Located on
Manual Holder.

20A
50A

CAUTION
Not for use when generator is operated at 480 volts.

PN: 22870
Decal, Caution for 480V CSA

DANGER
NEVER CHANGE SWITCH POSITION WITH ENGINE RUNNING. RESULT IN DAMAGE TO MACHINE.
AVVERTIMENTO
NON CAMBIARE LA POSIZIONE DEL SELEZIONATORE CON IL MOTORE IN MARCIA. RISCHIO DI DANNI ALLA MACCHINA.
AVERTISSEMENT
NE JAMAIS CHANGER LA POSITION DE L'INTERDISCUTEUR PENDANT QUE LE MOTEUR EST EN MARCHE. IL POURRAIT EN RESULTER UN RISQUE DE DOMMAGES A LA MACHINE.

L1 L2 L3

DANGER
NEVER CHANGE SWITCH POSITION WITH ENGINE RUNNING. RESULT IN DAMAGE TO MACHINE.
AVVERTIMENTO
NON CAMBIARE LA POSIZIONE DEL SELEZIONATORE CON IL MOTORE IN MARCIA. RISCHIO DI DANNI ALLA MACCHINA.
AVERTISSEMENT
NE JAMAIS CHANGER LA POSITION DE L'INTERDISCUTEUR PENDANT QUE LE MOTEUR EST EN MARCHE. IL POURRAIT EN RESULTER UN RISQUE DE DOMMAGES A LA MACHINE.

NEVER CHANGE SWITCH POSITION WITH ENGINE RUNNING. RESULT IN DAMAGE TO MACHINE.
AVVERTIMENTO
NON CAMBIARE LA POSIZIONE DEL SELEZIONATORE CON IL MOTORE IN MARCIA. RISCHIO DI DANNI ALLA MACCHINA.
AVERTISSEMENT
NE JAMAIS CHANGER LA POSITION DE L'INTERDISCUTEUR PENDANT QUE LE MOTEUR EST EN MARCHE. IL POURRAIT EN RESULTER UN RISQUE DE DOMMAGES A LA MACHINE.

WARNING
NEVER CHANGE SWITCH POSITION WITH ENGINE RUNNING. RESULT IN DAMAGE TO MACHINE.
AVVERTIMENTO
NON CAMBIARE LA POSIZIONE DEL SELEZIONATORE CON IL MOTORE IN MARCIA. RISCHIO DI DANNI ALLA MACCHINA.
AVERTISSEMENT
NE JAMAIS CHANGER LA POSITION DE L'INTERDISCUTEUR PENDANT QUE LE MOTEUR EST EN MARCHE. IL POURRAIT EN RESULTER UN RISQUE DE DOMMAGES A LA MACHINE.

PN: 12142
Decal, Ground

L1 L2 L3 N

Located behind lug box door.

120V 1Ø **120V 2ØV 3Ø** **277V 480V 3Ø**

PN: 30496
Decal, 3 Pos Phase Switch

Note: All safety and operating decals are located on decal sheet 23599, unless otherwise noted.

UNIT DECALS - FRONT, BACK & CONTROL PANELS - MMG45FHKCAN6

PN: 26387
Decal Set, Rear
Hood Latch

NOTICE
TO OPEN HOOD, release primary latch located under front
struts. Open front hood to access.

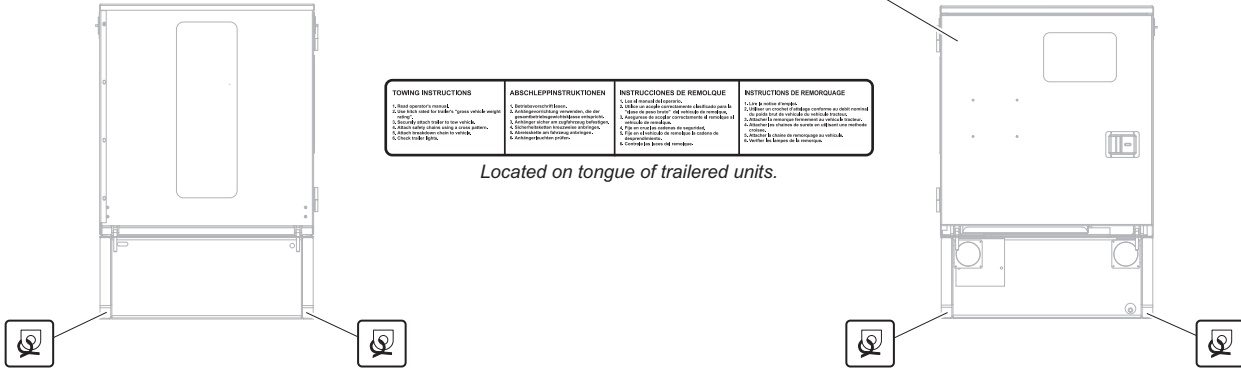
NOTICE
PRIMERA OBTENCION: liberar el cerrojo primario ubicado debajo de
los brazos delanteros. Abrir la capota frontal para acceder.

AVISO
PRIMA OBTENCION: liberar el cerrojo primario ubicado debajo de los
brazos delanteros. Abrir la capota frontal para acceder.

NOTIFICATION
POUR OUVRIRE LE CAPOT, libérez le verrou primaire situé sous les
traverses avant. Ouvrez le capot avant pour accéder.

<p>TOWING INSTRUCTIONS</p> <ol style="list-style-type: none"> Read operator's manual. Always use correct tie-down technique. Use proper tie-down technique. Always use proper tie-down technique. Always use proper tie-down technique. Always use proper tie-down technique. 	<p>ABSCHLEPPINSTRUKTIONEN</p> <ol style="list-style-type: none"> Lesen Sie die Bedienungsanleitung. Benutzen Sie immer die richtige Anbinde- und Befestigungstechnik. Benutzen Sie immer die richtige Anbinde- und Befestigungstechnik. Benutzen Sie immer die richtige Anbinde- und Befestigungstechnik. Benutzen Sie immer die richtige Anbinde- und Befestigungstechnik. Benutzen Sie immer die richtige Anbinde- und Befestigungstechnik. 	<p>INSTRUCCIONES DE REMOLQUE</p> <ol style="list-style-type: none"> Lea el manual de operación. Siempre use la técnica correcta de amarre y sujeción. Siempre use la técnica correcta de amarre y sujeción. Siempre use la técnica correcta de amarre y sujeción. Siempre use la técnica correcta de amarre y sujeción. Siempre use la técnica correcta de amarre y sujeción. 	<p>INSTRUCCIONES DE REMORQUE</p> <ol style="list-style-type: none"> Leia o manual de operação. Sempre use a técnica correta de amarrar e prender. Sempre use a técnica correta de amarrar e prender. Sempre use a técnica correta de amarrar e prender. Sempre use a técnica correta de amarrar e prender. Sempre use a técnica correta de amarrar e prender.
--	--	--	--

Located on tongue of trailered units.



OPERATING INSTRUCTIONS

- Read operator's manual.
- Always use correct tie-down technique.
- Use proper tie-down technique.
- Always use proper tie-down technique.
- Always use proper tie-down technique.
- Always use proper tie-down technique.

OPERACIONES

- Lea el manual de operación.
- Siempre use la técnica correcta de amarre y sujeción.
- Siempre use la técnica correcta de amarre y sujeción.
- Siempre use la técnica correcta de amarre y sujeción.
- Siempre use la técnica correcta de amarre y sujeción.
- Siempre use la técnica correcta de amarre y sujeción.

INSTRUCCIONES DE OPERACION

- Lea el manual de operación.
- Siempre use la técnica correcta de amarre y sujeción.
- Siempre use la técnica correcta de amarre y sujeción.
- Siempre use la técnica correcta de amarre y sujeción.
- Siempre use la técnica correcta de amarre y sujeción.
- Siempre use la técnica correcta de amarre y sujeción.

OPERAZIONE

- Leggere il manuale di istruzioni.
- Utilizzare sempre la tecnica corretta di legare e fissare.
- Utilizzare sempre la tecnica corretta di legare e fissare.
- Utilizzare sempre la tecnica corretta di legare e fissare.
- Utilizzare sempre la tecnica corretta di legare e fissare.
- Utilizzare sempre la tecnica corretta di legare e fissare.

PN: 34425
Decal, Terminal
Connections - 600V

STARTING THE GENERATOR
DAS STARTEN DES GENERATORS
COMENZAR EL GENERADOR
PARTIR DO GENERADOR

- TURN CONTROL SWITCH "ON"
- PUSH "ENGINE START"

STOPPING THE GENERATOR
DAS ANHALTEN DES GENERATORS
COMENZAR EL GENERADOR
PARTIR DO GENERADOR

- PUSH "ENGINE STOP"
- TURN CONTROL SWITCH "OFF"

PN: 23846
Decal, Controller
Start Instructions

WARNING
NEVER CHANGE SWITCH POSITION WITH ENGINE RUNNING. RESULTS IN DAMAGE TO MACHINE.

ADVERTENCIA
NUNCA CAMBIE LA POSICION DEL INTERRUPTOR AL ESTAR MARCANDO EL MOTOR, YA QUE ESTO PODRIA CONDUCIR A DAÑOS EN EL EQUIPO.

AVERTISSEMENT
NE JAMAIS CHANGER LA POSITION DE L'INTERDISCUTTEUR PENDANT QUE LE MOTEUR EST EN MARCHE. IL POURRAIT EN RESULTER RISQUE DE DOMMAGES A LA MACHINE.

PN: 23827
Decal,
Controller
Switches

PN: 27733
Decal, Interior Light
Switch Option

NEUTRAL BONDED TO FRAME
EL NEUTRO ESTÁ BONDADO AL CHASIS
CONNECTION ENTRE NEU & LA BASE DU CHASSIS

CAUTION
Do not use 120V GFCI on outlets after generator at 480 or 600 volts. Equipment damage or personal injury may result.

CAUTION
Do not use 240V listed lock outlets after generator at 480 or 600 volts. Equipment damage or personal injury may result.

Located on
Manual Holder.

WARNING
NEVER CHANGE SWITCH POSITION WITH ENGINE RUNNING. RESULTS IN DAMAGE TO MACHINE.

ADVERTENCIA
NUNCA CAMBIE LA POSICION DEL INTERRUPTOR AL ESTAR MARCANDO EL MOTOR, YA QUE ESTO PODRIA CONDUCIR A DAÑOS EN EL EQUIPO.

AVERTISSEMENT
NE JAMAIS CHANGER LA POSITION DE L'INTERDISCUTTEUR PENDANT QUE LE MOTEUR EST EN MARCHE. IL POURRAIT EN RESULTER RISQUE DE DOMMAGES A LA MACHINE.

L1 L2 L3

DANGER
NEVER CHANGE SWITCH POSITION WITH ENGINE RUNNING. RESULTS IN DAMAGE TO MACHINE.

ADVERTENCIA
NUNCA CAMBIE LA POSICION DEL INTERRUPTOR AL ESTAR MARCANDO EL MOTOR, YA QUE ESTO PODRIA CONDUCIR A DAÑOS EN EL EQUIPO.

AVERTISSEMENT
NE JAMAIS CHANGER LA POSITION DE L'INTERDISCUTTEUR PENDANT QUE LE MOTEUR EST EN MARCHE. IL POURRAIT EN RESULTER RISQUE DE DOMMAGES A LA MACHINE.

DANGER
NEVER CHANGE SWITCH POSITION WITH ENGINE RUNNING. RESULTS IN DAMAGE TO MACHINE.

ADVERTENCIA
NUNCA CAMBIE LA POSICION DEL INTERRUPTOR AL ESTAR MARCANDO EL MOTOR, YA QUE ESTO PODRIA CONDUCIR A DAÑOS EN EL EQUIPO.

AVERTISSEMENT
NE JAMAIS CHANGER LA POSITION DE L'INTERDISCUTTEUR PENDANT QUE LE MOTEUR EST EN MARCHE. IL POURRAIT EN RESULTER RISQUE DE DOMMAGES A LA MACHINE.

PN: 34425
Decal, Terminal
Connections - 600V

WARNING
NEVER CHANGE SWITCH POSITION WITH ENGINE RUNNING. RESULTS IN DAMAGE TO MACHINE.

ADVERTENCIA
NUNCA CAMBIE LA POSICION DEL INTERRUPTOR AL ESTAR MARCANDO EL MOTOR, YA QUE ESTO PODRIA CONDUCIR A DAÑOS EN EL EQUIPO.

AVERTISSEMENT
NE JAMAIS CHANGER LA POSITION DE L'INTERDISCUTTEUR PENDANT QUE LE MOTEUR EST EN MARCHE. IL POURRAIT EN RESULTER RISQUE DE DOMMAGES A LA MACHINE.

WARNING
NEVER CHANGE SWITCH POSITION WITH ENGINE RUNNING. RESULTS IN DAMAGE TO MACHINE.

ADVERTENCIA
NUNCA CAMBIE LA POSICION DEL INTERRUPTOR AL ESTAR MARCANDO EL MOTOR, YA QUE ESTO PODRIA CONDUCIR A DAÑOS EN EL EQUIPO.

AVERTISSEMENT
NE JAMAIS CHANGER LA POSITION DE L'INTERDISCUTTEUR PENDANT QUE LE MOTEUR EST EN MARCHE. IL POURRAIT EN RESULTER RISQUE DE DOMMAGES A LA MACHINE.

PN: 34424
Decal Set, Voltage
Selector Switch

Voltage Selection	Motor Voltage	WEG Selector
600 345 3.0	600	3.0
480 277 3.0	480	2.77
208 120 3.0	208	120
240 120 1.0	240	120
240 120 3.0	240	120

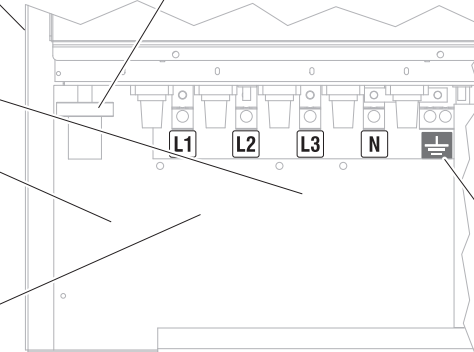
PN: 34424
Decal Set, Voltage
Selector Switch

240 120 3.0 **208 120 3.0** **480 277 3.0** **600 345 3.0**

CAUTION
Do not use 120V GFCI on outlets after generator at 480 or 600 volts. Equipment damage or personal injury may result.

CAUTION
Do not use 240V listed lock outlets after generator at 480 or 600 volts. Equipment damage or personal injury may result.

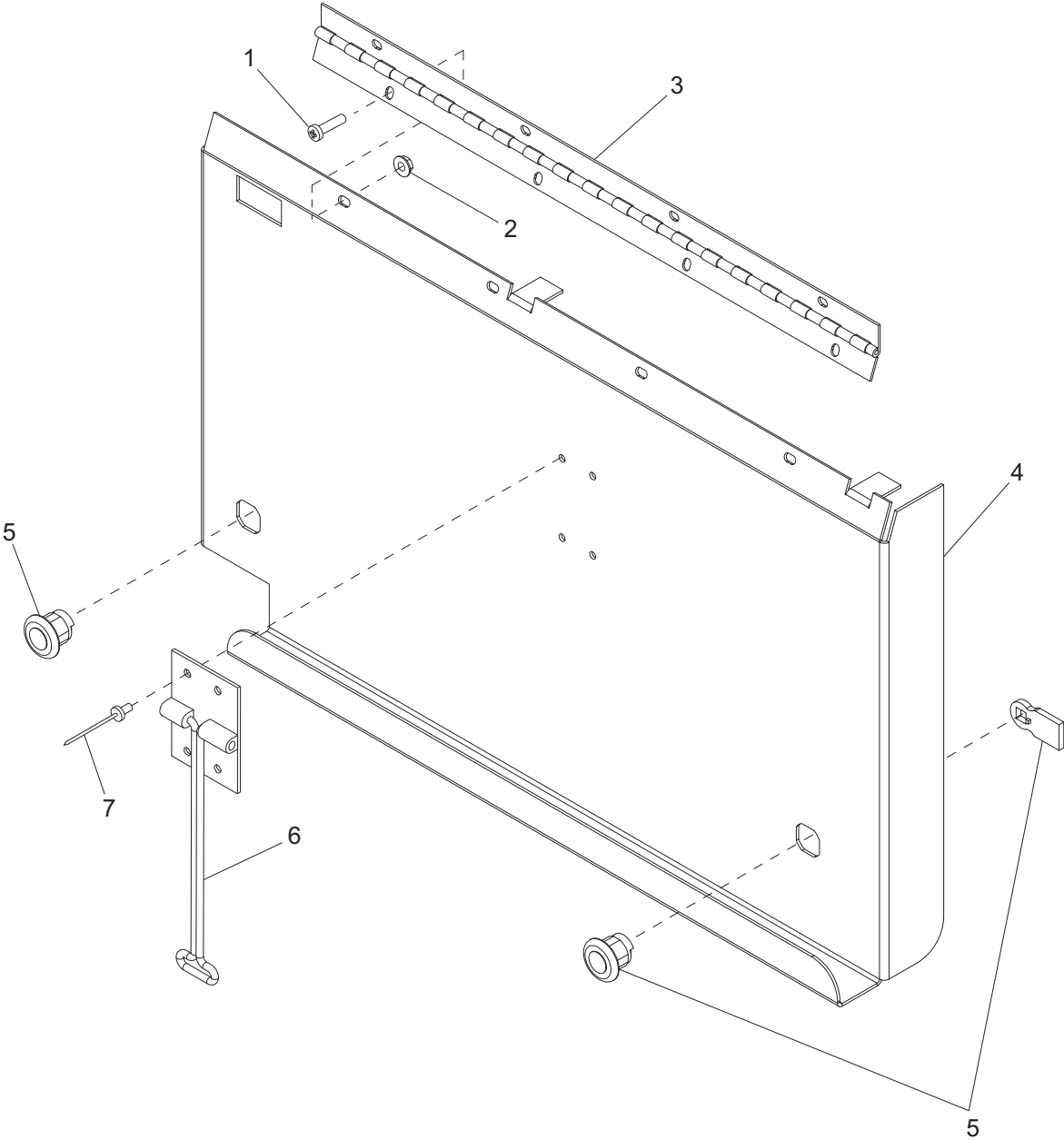
PN: 34275
Decal, Caution
- 120V & 240V Outlets



PN: 12142
Decal, Ground

Note: All safety and operating decals are located on decal sheet 23599, unless otherwise noted.

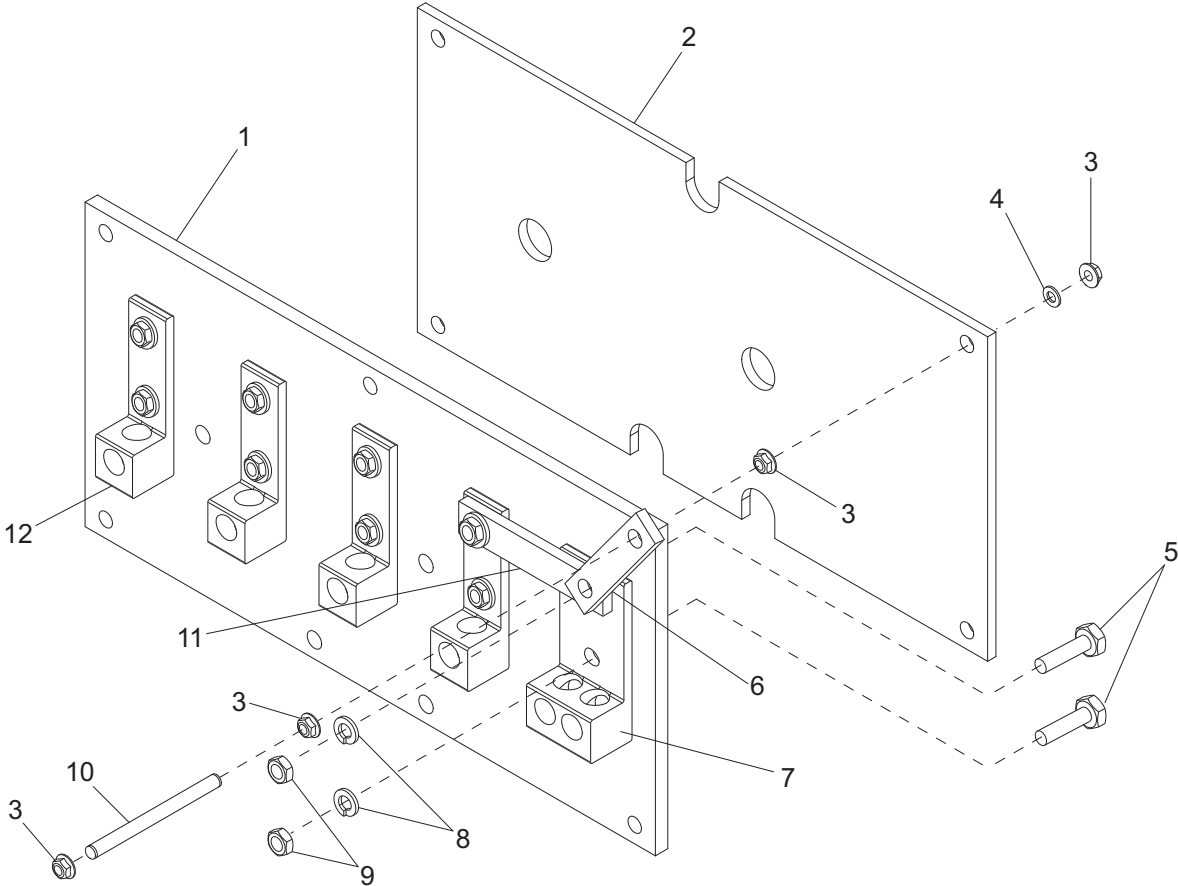
LUG DOOR ASSEMBLY



LUG DOOR ASSEMBLY

ITEM	PART NO.	QTY	DESCRIPTION	NOTES
1	60398	4	Screw, 10-32 x .500 pan phil18-8, SS	
2	61045	4	Nut, 10-32 sflg	
3	24583	1	Hinge, piano 18.75 w/ offset holes	
4	24293B	1	Panel, lug door	
5	20762	2	Lock, door - 1/4 turn cam	
6	60652	1	Latch, door spring loaded keeper	
7	60268	4	Rivet, .188 dia x .126 to .250 grip	
--	24322	--	Assembly, lug door	Items 1-7

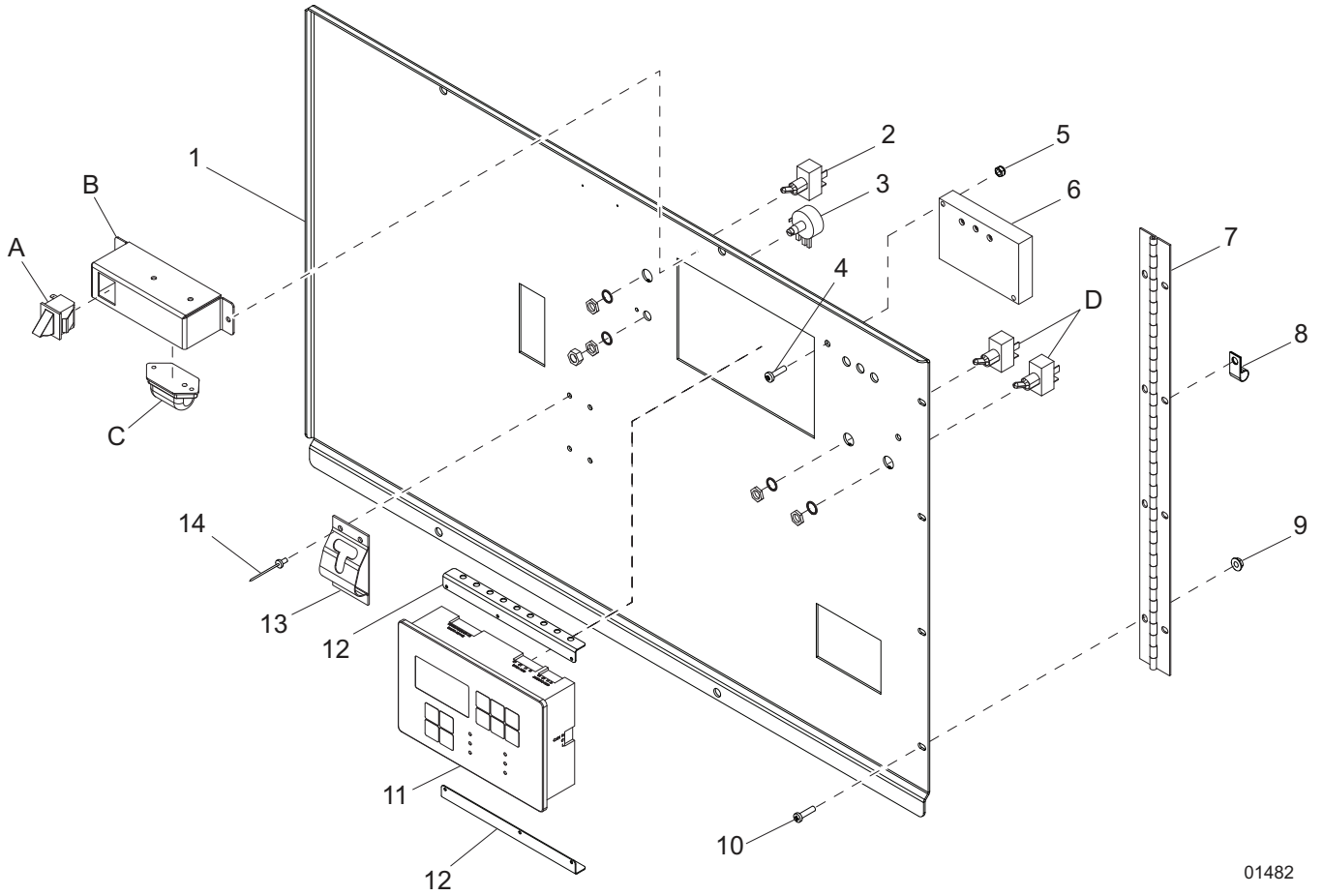
LUG PANEL ASSEMBLY



LUG PANEL ASSEMBLY

ITEM	PART NO.	QTY	DESCRIPTION	NOTES
1	24278	1	Panel, glastic lug	
2	24319	1	Plate, glastic cover	
3	60020	4	Nut, M8-1.25 sflg, G8.8	
4	60243	1	Washer, .250 flat .735/.060, ZC	
5	63353	10	Screw, .375-16 x 1.750 flat hex	
6	24820	1	Bus, ground to board	
7	65692	1	Lug, terminal dual #6-35MCM 2 hole	
8	60206	10	Washer, .375 split lock	
9	60140	10	Nut, .375-16 hex	
10	18992	1	Stud, ground - M8 x 1.25 x 100 mm	
11	24819	1	Bus, N to ground	
12	65677	4	Lug terminal single #6-350MCM 2 hole	
--	24279	--	Assembly, lug panel	Items 1-12

CONTROL PANEL ASSEMBLY



01482

CONTROL PANEL ASSEMBLY

ITEM	PART NO.	QTY	DESCRIPTION	NOTES
1	20724W	1	Panel, control	
2	25077	1	Switch, toggle – SPST 20A VAC	
3	26229	1	Kit, voltage adj. pot.	
--	18934	1	Decal, potentiometer guard	
4	60406	2	Screw, 8-32 x 1.00 pan phil, G2	
5	60270	2	Nut, 8-32 nylock class 6	
6	10519	1	Regulator, voltage - SE 350	
7	18598	1	Hinge, controller panel - 18.75	
8	60375	1	Clamp, tubing - .312 lt duty	
9	61045	4	Nut, 10-32 sflg	
10	60398	4	Screw, 10-32 x .500 pan phil 18-8, SS	
11	21201	1	Controller, eng/gen-prog.	MMG45FHK & CAN MMG45FHKCAN6
	67099	1	Controller, eng/gen-prog.	
12	29893	2	Bracket, control board wire guide	
13	60652	1	Latch, door - spring loaded keeper	
14	60268	4	Rivet, .188 dia. x .126 to .250 grip	
--	20723	1	Assembly, digital control panel	
--	21204	1	Wiring group, control box fh digital	

OPTIONAL FEATURES

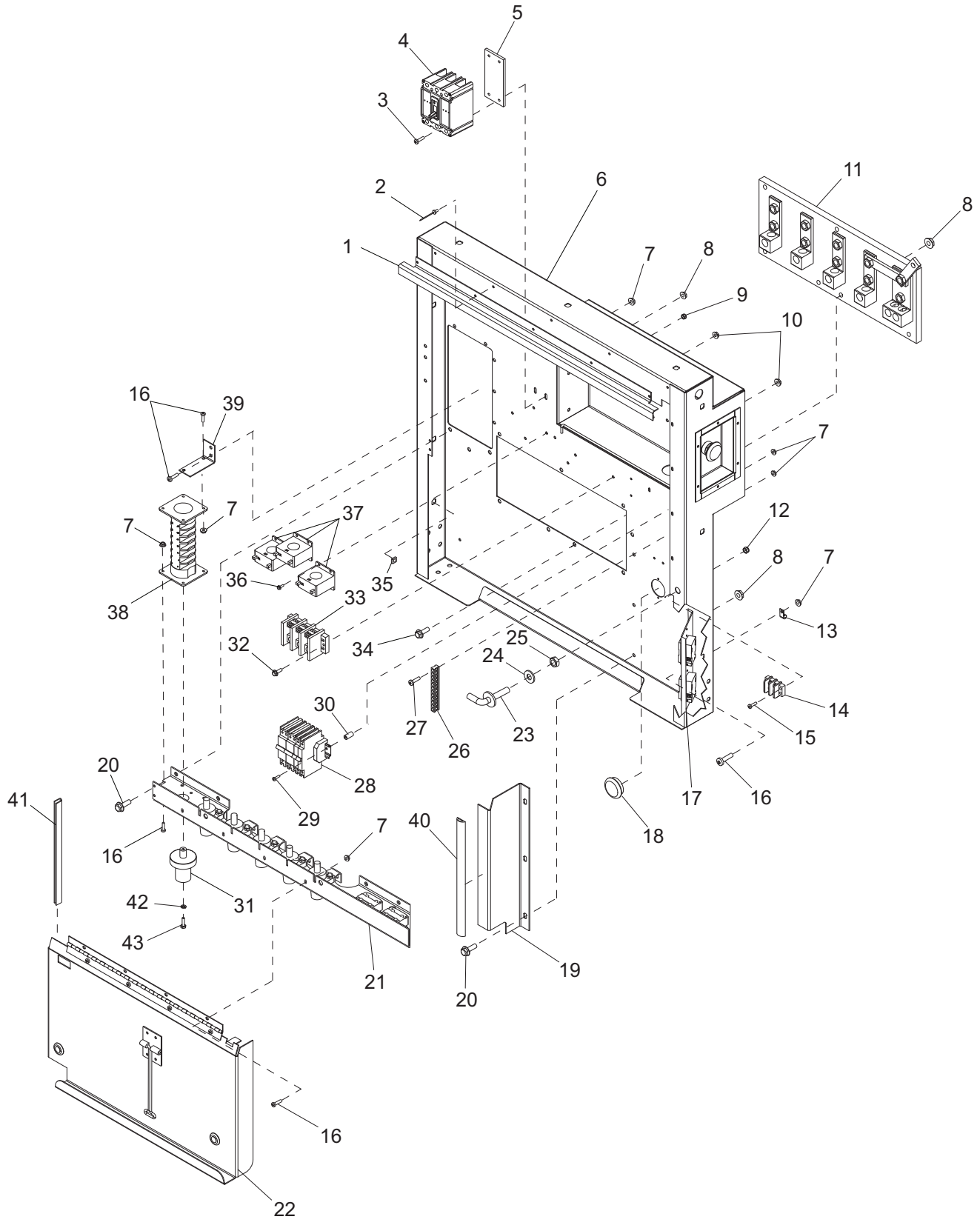
Auxiliary Lighting:

A	12632	1	Switch, trigger safety, NO & NC
B	26093W	1	Bracket, control panel light
C	65393	1	Light, panel - 12/24V
D	25077	2	Switch, toggle - SPST 20A VAC

Analog Gauges:

--	27290	1	Analog gauges, 3 pos (Y,y,Z)
--	27289	1	Analog gauges, 4 pos (Y,y,D,Z)

CONTROL BOX ASSEMBLY (1 OF 2)

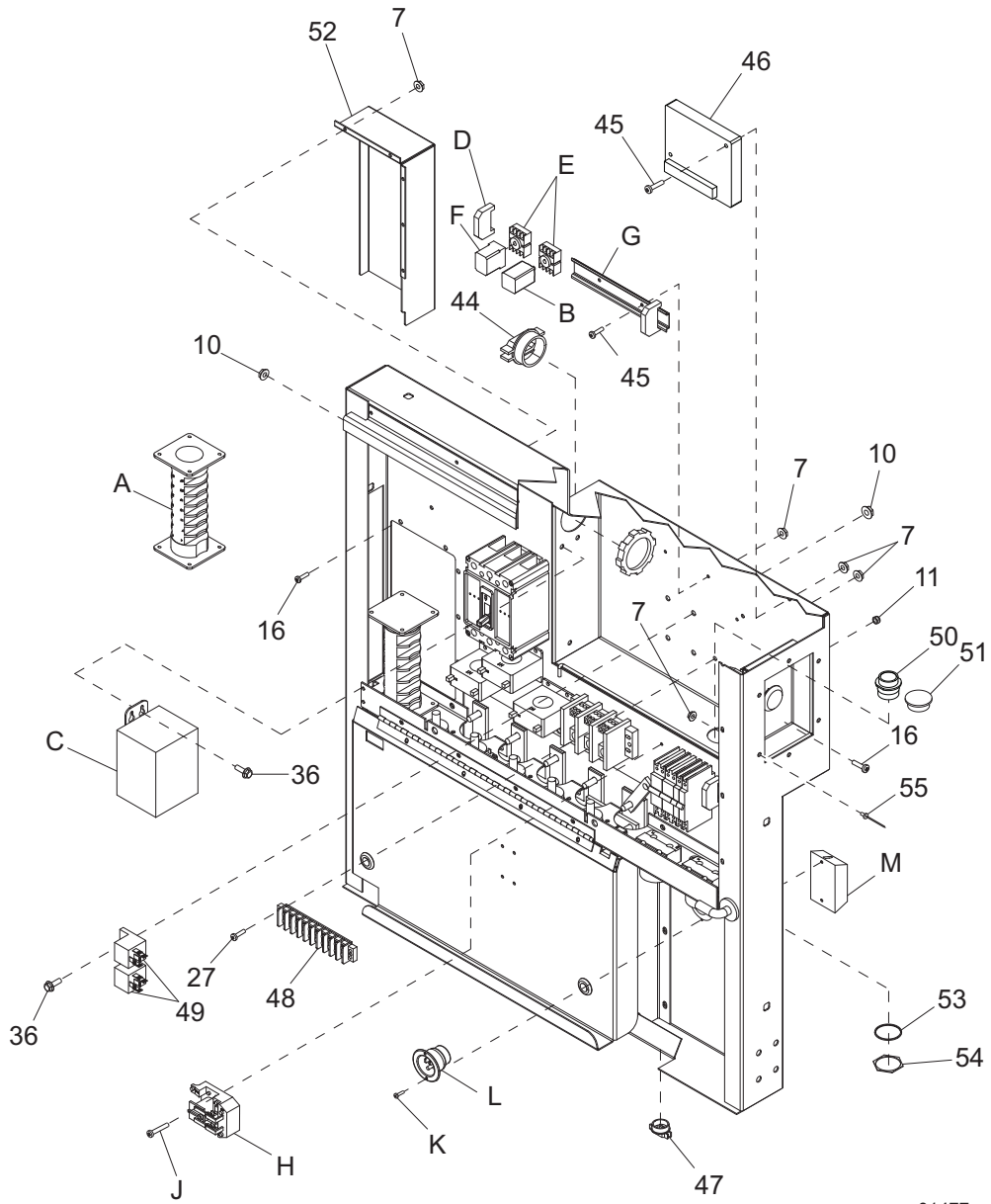


CONTROL BOX ASSEMBLY(1 OF 2)

ITEM	PART NO.	QTY	DESCRIPTION	NOTES
1	24320B	1	Bracket, door seal	
2	60231	5	Rivet, .188 dia. x .375 to .500 grip	
3	60377	4	Screw, 8-32 x 1.750 pan phil, G2	
4	65565	1	Breaker, 200A	
5	24373B	1	Plate, breaker mounting	
6	20691B	1	Weldment, control box	MMG45FHK & MMGFHKCAN
	34279B	1	Weldment, control box, 600V	MMG45FHKCAN6
7	61045	32	Nut, 10-32 sflg	
8	60095	10	Nut, .312-18 sflg	
9	60270	4	Nut, 8-32 nylock	
10	60161	14	Nut, .250-20 sflg, G5	
11	Page 12	3	Assembly, lug panel	
12	60290	2	Nut, 6-32 nylock 18-8, SS	
13	60375	1	Clamp, tubing - .312 lt duty	
14	18890	1	Block, terminal - 2 pos	
15	60046	2	Screw, 6-32 x .750 pan phil, G2	
16	60398	26	Screw, 10-32 x .500 pan phil	
17	Page 22	1	Assembly, receptacle panel	
18	61037	1	Plug, hole 1.75 dia	
19	24317B	1	Panel, lug box side	
20	60114	7	Screw, M8-1.25 x 20 sflg hex	
21	Page 20	1	Assembly, cam lock panel	
22	Page 10	1	Assembly, lug door	
23	24043ZC	1	Striker, short pin	
24	24196	1	Washer, striker pin - int. thrd	
25	24046	1	Striker nut, .438-14	
26	14204	1	Kit, ground bar	
27	60406	2	Screw, 8-32 x 1.00 pan phil, G2	
28	Page 24	1	Assembly, breaker	
29	60459	2	Screw, 10-32 x 1.50 pan phil, G2	
30	24770B	2	Standoff, .50 OD .25 ID 1.00 long	
31	26215	1	Handle, phase switch 7 mm	
32	60479	2	Screw, .250-20 x 1.00 sflg hex, G5	
33	65356	1	Block, terminal - 3 pole bussman	
34	60516	3	Screw, .312-18 x 1.250 sflg hex	
35	15425	10	Nut, .312-18 cage	
36	60175	12	Screw, .250-20 x .500 sflg hex, G5	
37	65685	3	Transformer, current - terminals 200:5A	
38	65701	1	Switch, phase - 80A, 3-pos (Y,y,Z)	
39	21412B	1	Bracket, phase switch mounting	
40	50187	1 ft	Seal, door D-shaped .750	
41	19351	1 ft	Seal, U-channel	
42	60058	1	Washer, #6 split lock	
43	61079	1	Screw, M3-0.50 x 12 soc hex, G10.9	

Continued on next page

CONTROL BOX ASSEMBLY (2 OF 2)



01477

CONTROL BOX ASSEMBLY (2 OF 2)

ITEM	PART NO.	QTY	DESCRIPTION	NOTES
44	65788	1	Strain relief - 2 in. Romex	
45	60648	4	Screw, 10-32 x .500 pan phil, G2	
46	65975	1	Board, governor	
47	14219	1	Strain relief - .75 Romex w/nut	
48	14203	1	Block, terminal - 10 pos., 30A, 600V, #8 screw	
49	66455	2	Relay, 12V 70A N.C./80A N.O. w/diode	
50	65309	1	Connector, Deutsch 21 pos. receptacle	
51	66044	1	Plug, Deutsch connector hole	
52	21405B	1	Cover, phase switch wire	
53	65417	2	Washer, lock Deutsch hdp series	
54	65416	2	Nut, Deutsch 21- pin plug	
55	60260	6	Rivet, .188 dia. x .375 to .500 grip	
--	67867	1	Switch, phase - 4 pole, lockable 300V	MMG45FHKCAN6 only
--	65850	4	Breaker, 10A/240V, 1-pole push btn	MMG45FHKCAN6 only
--	67873	1	Wire group, control box	MMG45FHKCAN6 only
--	66864	1	Assembly, transformer board	MMG45FHKCAN6 only
--	67129	1	Rail, din - 35 mm x 7.0 in	MMG45FHKCAN6 only
--	60277	2	Screw, 10-32 x .500 pan phil, G2	MMG45FHKCAN6 only
--	14231	2	Nut, 10-32 hex, G2	MMG45FHKCAN6 only
--	34425	1	Decal, terminal connections 600V flip	MMG45FHKCAN6 only
--	60526	2	Screw, 8-32 x .500 pan phil, G2	MMG45FHKCAN6 only
--	60318	2	Nut, 8-32 hex, G5	MMG45FHKCAN6 only

OPTIONAL FEATURES

4 Position Switch: (for MMG45FHK and MMG45FHKCAN only)

A	65666	1	Switch, phase 80A, 4-pos (Y,y,D,Z)
B	65659	1	Relay, DPDT, 12VDC, 8 pos

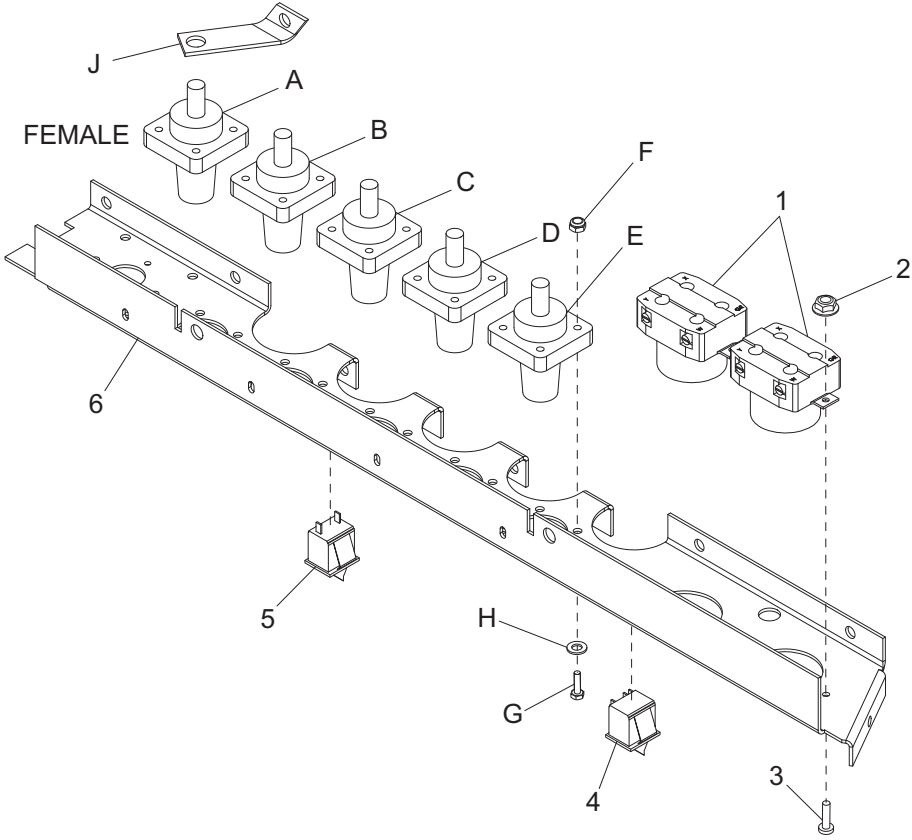
Buck Transformer:

C	21487	1	Transformer, 1.13:1 1-phase 500VA
D	65674	2	Stop, 35 mm din rail end
E	65644	1	Base, relay - 8 pos.
F	65645	1	Relay, voltage sensing
G	65673	1	Rail, din - 35 mm x 9.00 in.
H	65461	1	Relay, 30A DPDT 120VAC
J	60396	2	Screw, pan hd phil

Battery Charger:

K	60480	2	Screw, 10-16 x .750 pan phil, G2
L	65285	1	Receptacle, 120V/15A inlet
M	65326	1	Charger, battery - 2A, 3 stage, 1 output

CAM LOCK PANEL ASSEMBLY



01483

CAM LOCK PANEL ASSEMBLY

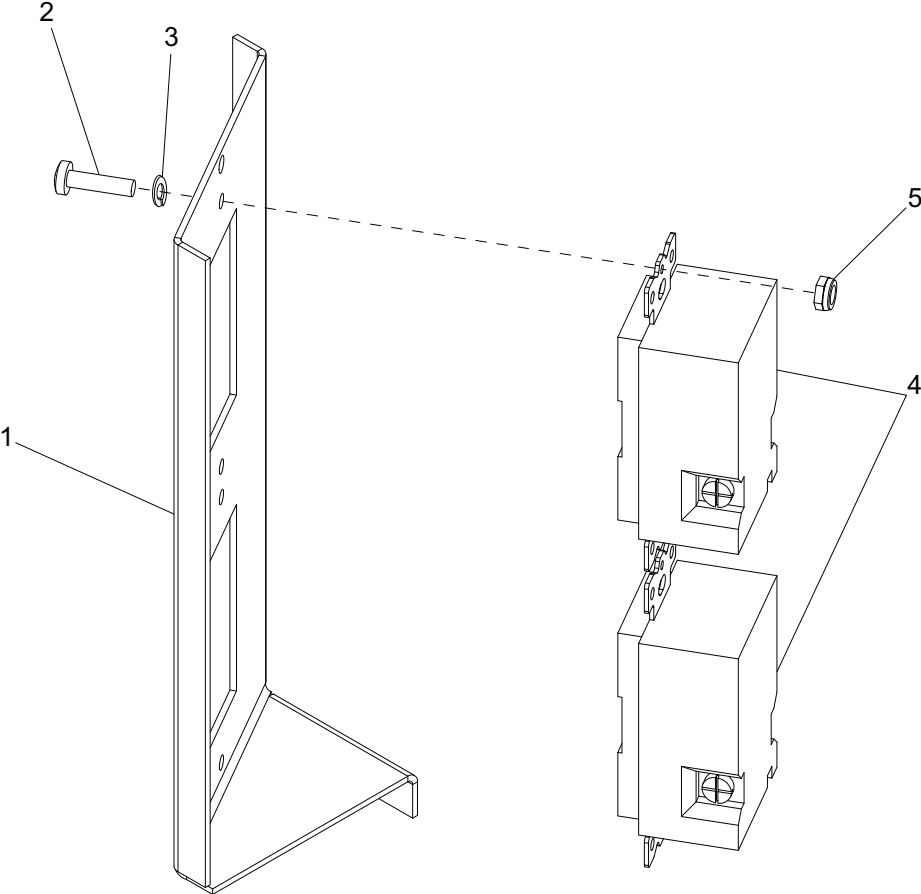
ITEM	PART NO.	QTY	DESCRIPTION	NOTES
1	18089	2	Receptacle, 240V/50A twist lock	120/240V 50A
2	61045	4	Nut, 10-32 sflg	
3	60398	4	Screw, 10-32 x .500 pan phil18-8, SS	
4	12632	1	Switch, trigger safety	
5	65830	1	Switch, trgr sfty RR trmnls	
6	24264B	1	Panel, lug box	
--	24289	1	Assembly, 240V/cam lock panel	MMG45FHK & CAN
--	34310	1	Assembly, 600V/cam lock panel	MMG45FHKCAN6

OPTIONAL FEATURES

Cam locks:

A	65551	1	Conn. cam lock fml 400A - black
B	65552	1	Conn. cam lock fml 400A - red
C	65553	1	Conn. cam lock fml 400A - blue
D	66040	1	Conn. cam lock fml 400A - white
E	66041	1	Conn. cam lock fml 400A - green
F	60061	20	Nut, 10-32 nylock
G	60397	20	Screw, 10-32 x 1.00 pan phil, G2
H	60237	20	Washer, #10 flat .495/.036 SAE
J	24703	5	Bar, cam lock bus

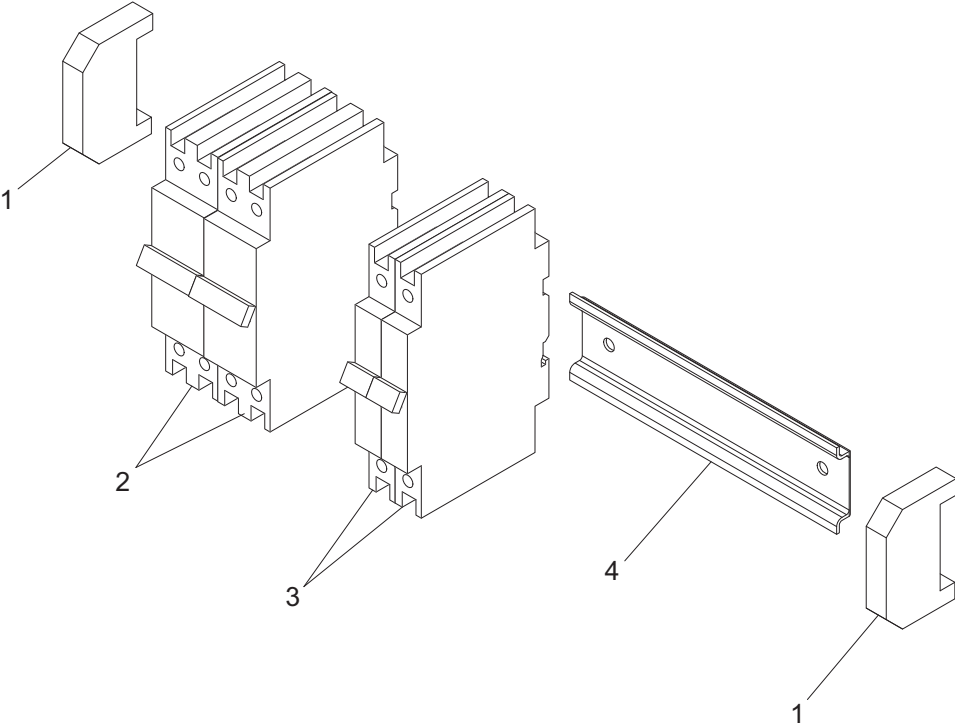
RECEPTACLE PANEL ASSEMBLY



RECEPTACLE PANEL ASSEMBLY

ITEM	PART NO.	QTY	DESCRIPTION	NOTES
1	24287W	1	Panel, 120V outlet	
2	60044	4	Screw, M5-0.80 x 12 pan phil	
3	60058	4	Washer, split lock #6	
4	14130	2	Receptacle, 120V/20A, GFI	
5	60038	4	Nut, M5 - .80 nylock	
--	24288	1	Assembly, 120V receptacle panel	

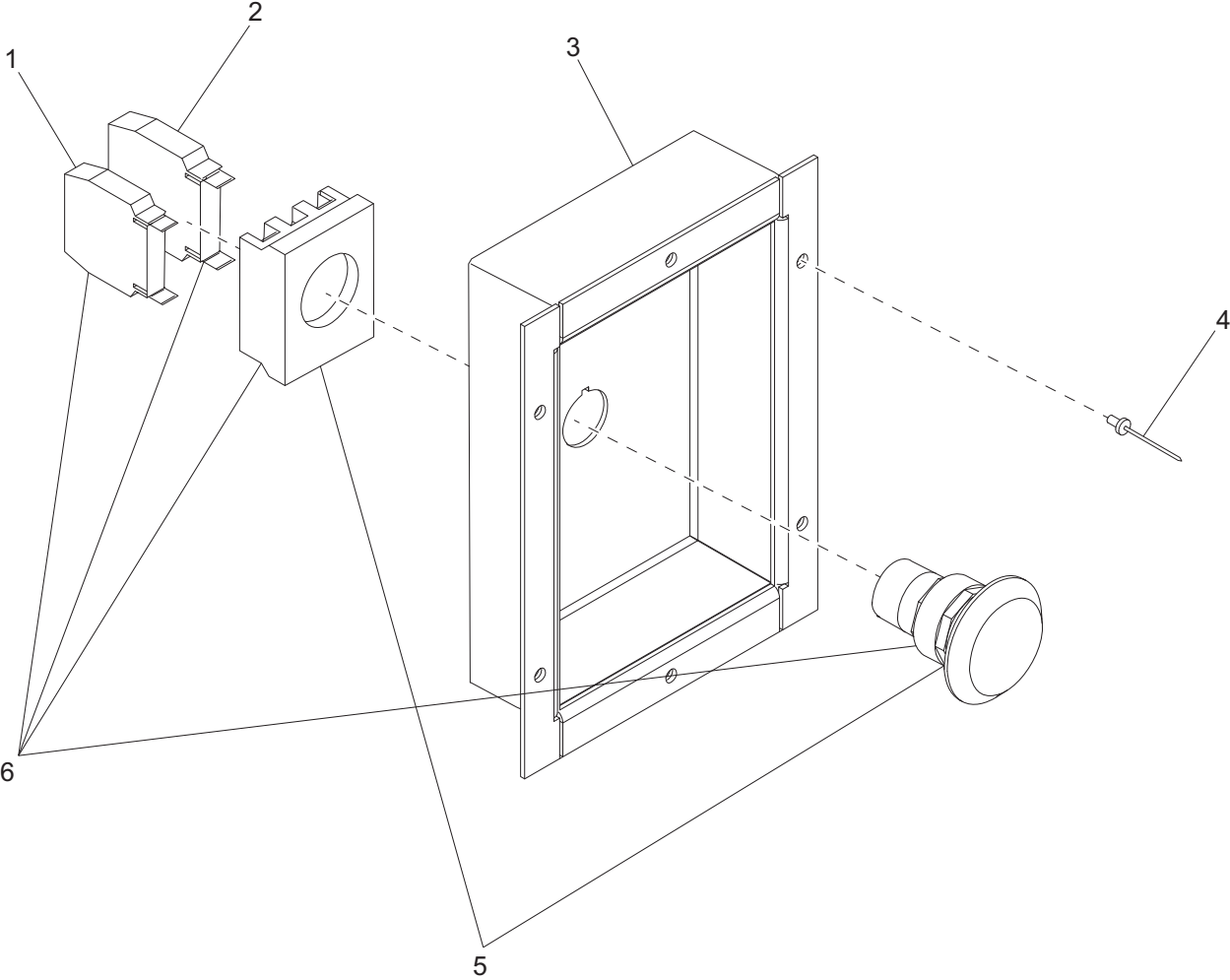
CIRCUIT BREAKER ASSEMBLY



CIRCUIT BREAKER ASSEMBLY

ITEM	PART NO.	QTY	DESCRIPTION	NOTES
1	65754	2	Stop, 35 mm din rail end	
2	65739	2	Breaker, 50A, 240V, 2-pole	
3	65738	2	Breaker, 20A, 240V, 1-pole	
4	65753	1	Rail, din - 35 mm x 5.00 in	
--	65752	1	Assembly, breaker 2-20A/2-50A	

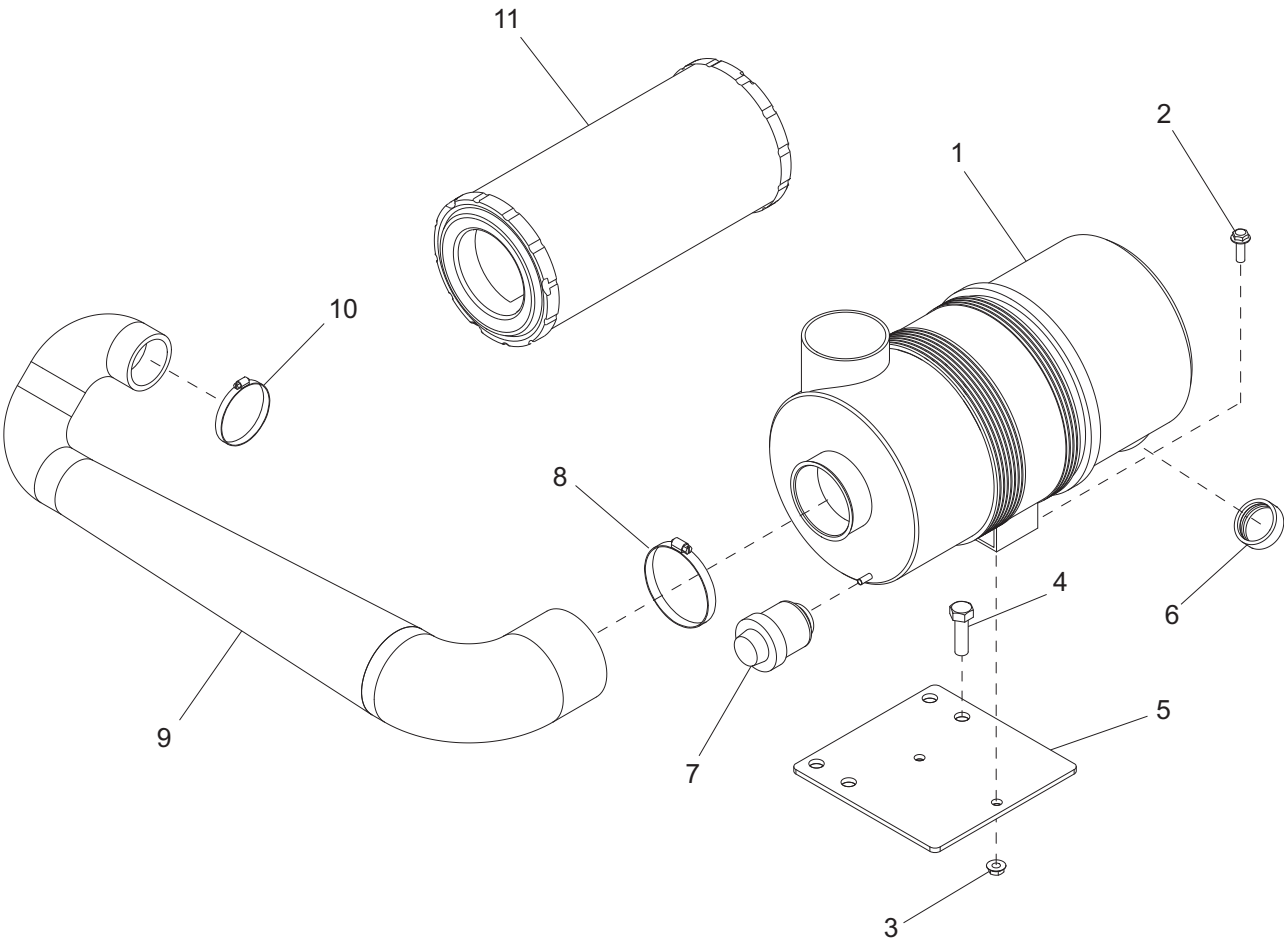
EMERGENCY STOP SWITCH ASSEMBLY



EMERGENCY STOP SWITCH ASSEMBLY

ITEM	PART NO.	QTY	DESCRIPTION	NOTES
1	65580	1	Block, e-stop cntctr - NC	
2	65584	1	Block, e-stop cntctr - NO/NO	
3	30645	1	Panel, emergency stop	
4	60260	6	Rivet, .188 dia. x .375 to .500 grip	
5	65470	1	Switch, e-stop operator	
6	22550	1	Switch, e-stop, 2NO/1NC	

AIR FILTER ASSEMBLY

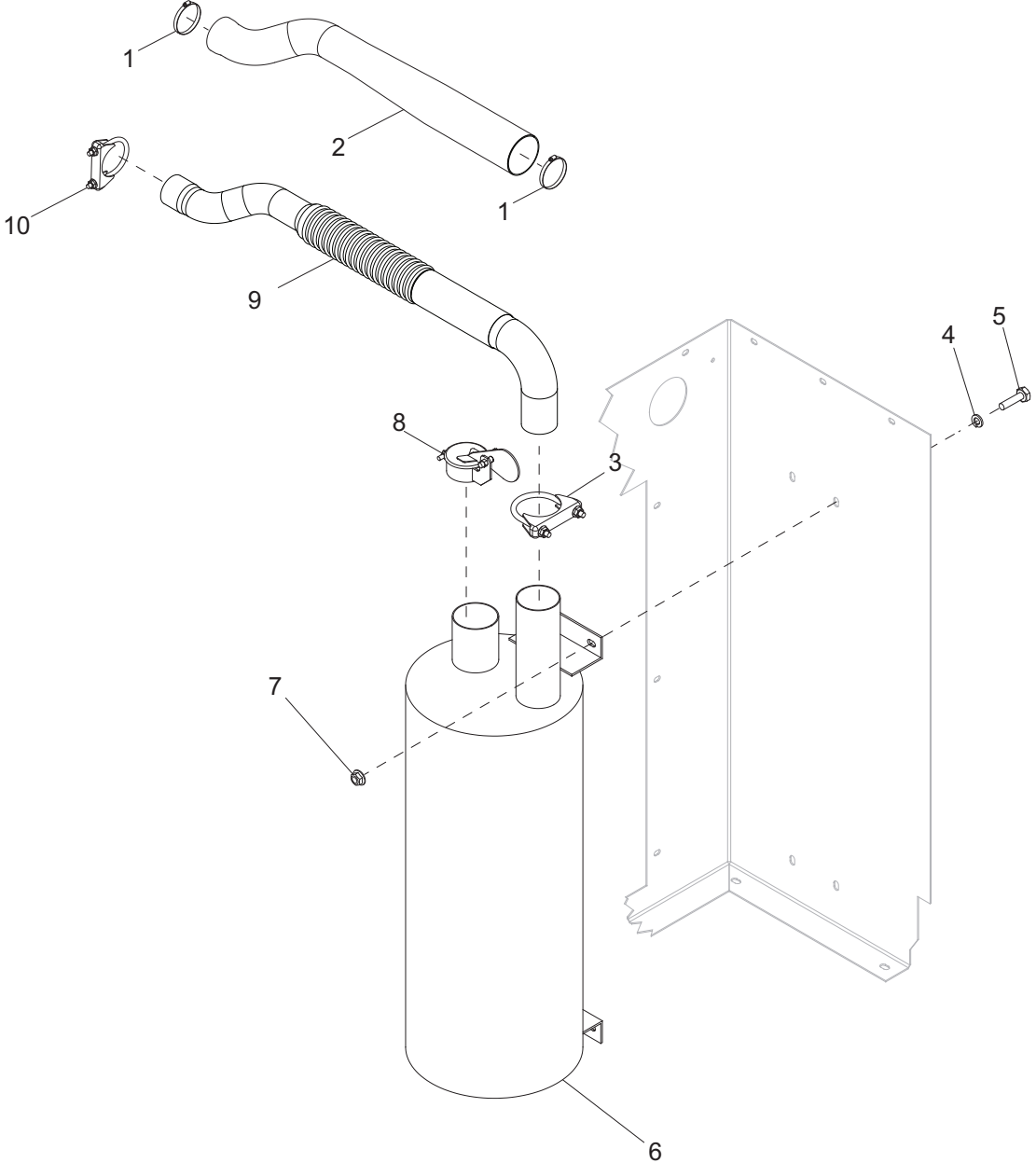


01481

AIR FILTER ASSEMBLY

ITEM	PART NO.	QTY	DESCRIPTION	NOTES
1	22967	1	Filter, air	
2	60616	2	Screw, .312-18 x .750 sflg hex, G5	
3	60095	2	Nut, .312-18 sflg	
4	60072	4	Screw, M12-1.75 x 25 sflg hex, G10.9	
5	20567B	1	Bracket, air filter	
6	19277	1	Cap, dust ejector	
7	24518	1	Gauge, filter restriction - filter mount	
8	18663	1	Clamp, hose SAE 060 (3.31-4.25)	
9	20450	1	Hose, air intake	
10	60316	1	Clamp, hose SAE 032 (1.56-2.50)	
11	22874	1	Element, air filter	

EXHAUST SYSTEM ASSEMBLY

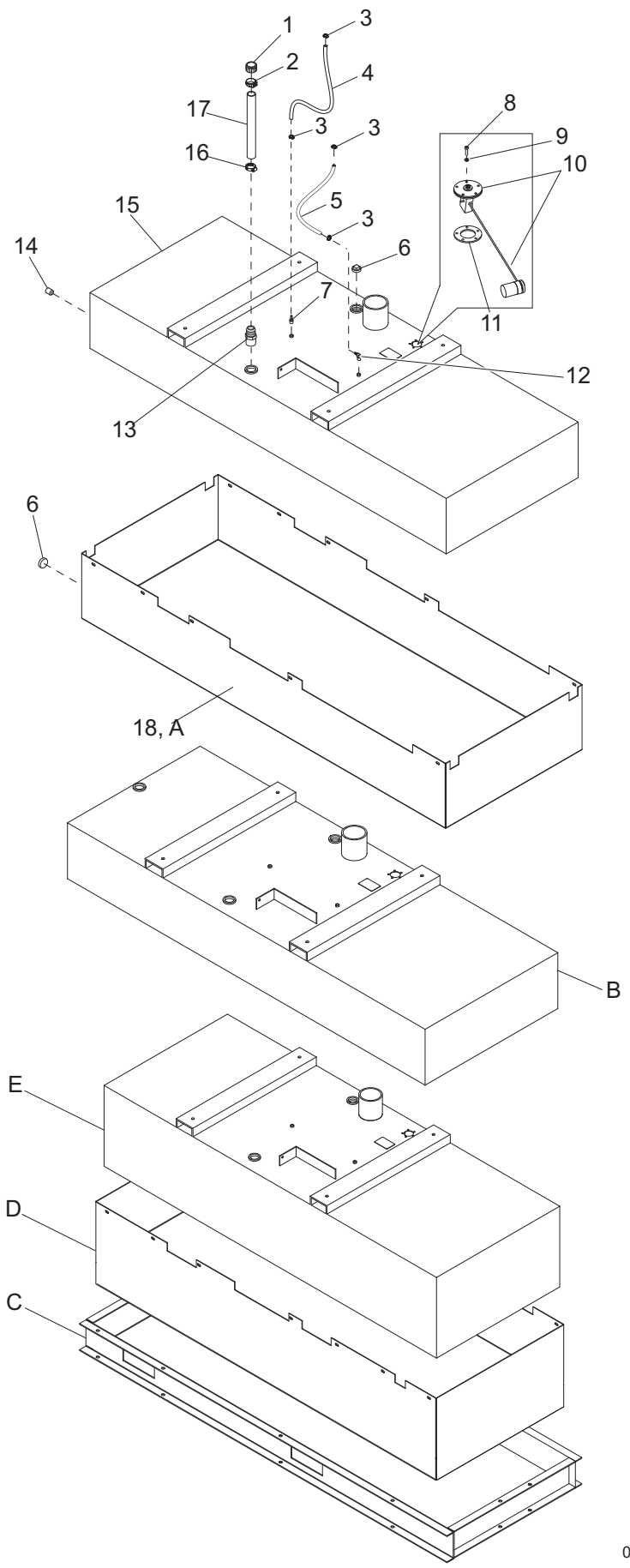


01496

EXHAUST SYSTEM ASSEMBLY

ITEM	PART NO.	QTY	DESCRIPTION	NOTES
1	60316	2	Clamp, hose - SAE 032 (1.56-2.50)	
2	26479	4 ft	Sleeve, high temp - 3 in	
3	15550	1	Clamp, muffler 2.5 heavy duty (w/hardware)	
4	60698	4	Washer, .375 flat .875/.040 18-8, SS	
5	61036	4	Screw, .375-16×1.250 std hex 18-8, SS	
6	24332	1	Muffler, exhaust	
7	60145	4	Nut, .375-16 slfg, G5 lock	
8	25647	1	Cap, rain - 2.5 in	
9	20448	1	Pipe, exhaust	
10	18823	1	Clamp, muffler 2 in	

FUEL TANK ASSEMBLY



01438

FUEL TANK ASSEMBLY

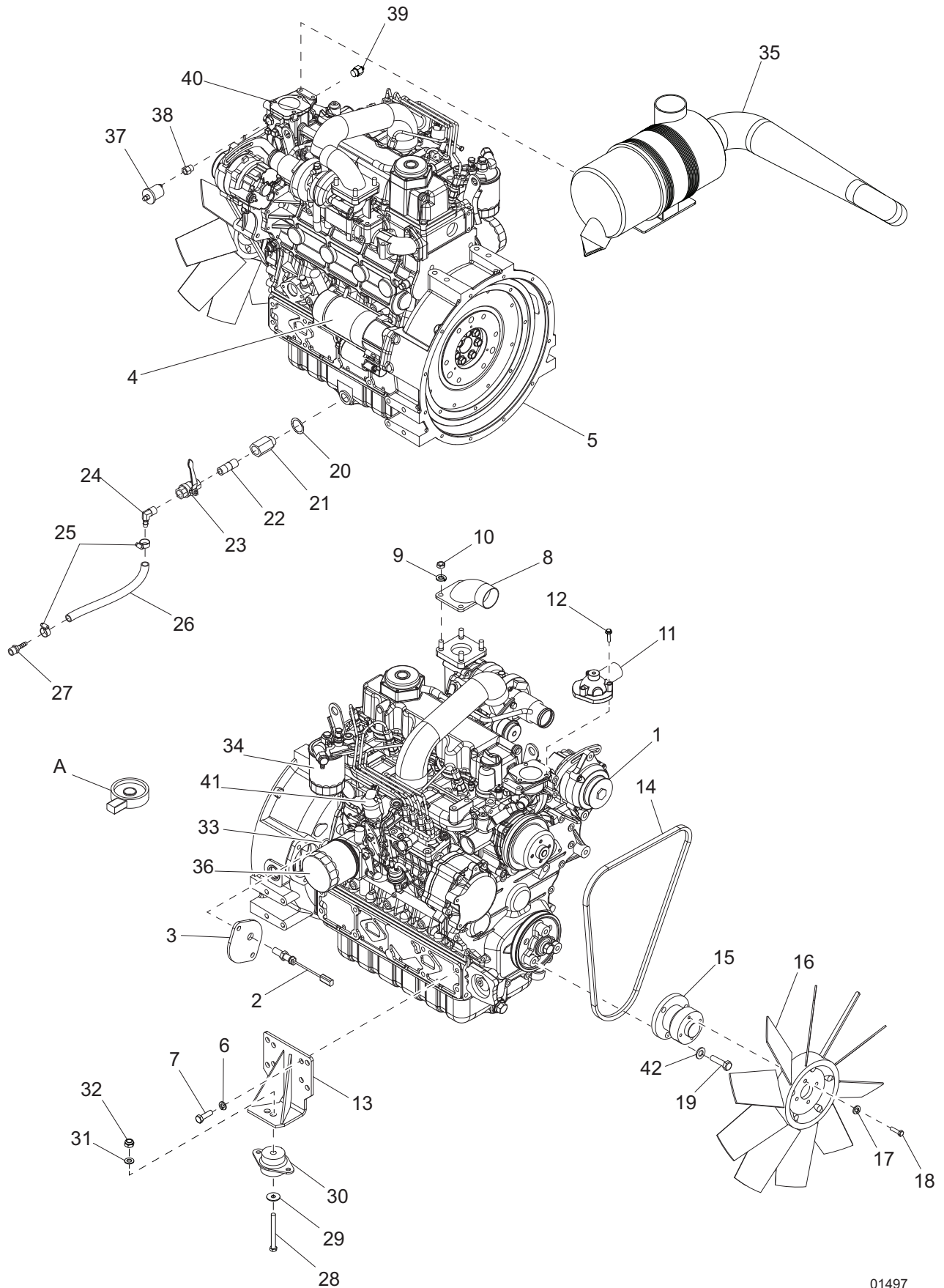
ITEM	PART NO.	QTY	DESCRIPTION	NOTES
1	26379	1	Vent, plastic fuel - 1.0 ID	
2	62040	1	Clamp, hose - 1.50 fuel hose, crimp style	
3	14216	4	Clamp, hose - SAE 004 (.21-.62) miniature	
4	50018	2.5 ft	Hose, fuel - .312 ID, 50 psi, SAE 30R7	
5	50018	1.75 ft	Hose, fuel - .312 ID, 50 psi, SAE 30R7	
6	65636	1	Fitting, plug - 1.00NPT flush mount, w/hex soc	
7	15142	1	Fitting, strt - .250NPTx.312 barb	
8	60062	5	Screw, 10-32x.750 pan phil, G2	
9	60252	5	Washer, #10 split lock	
10	20571	1	Sender, fuel - 10-15 in. tank	
11	22323	1	Gasket, fuel sending unit	
12	15693	1	Fitting, 90° - .250NPTx.312 barb, brs	
13	21451	1	Fitting, strt - 1.0MNPTx1.0 barb, galv	
14	18394	1	Fitting, plug - .500NPT x internal hex	
15	24308B	1	Tank, fuel - 106 gal	
16	19338	1	Clamp, hose - SAE 016 (.68-1.50)	
17	50019	3 ft	Hose, fuel - 1.00 SAE 20R	
18	26100B	1	Pan, 24 hr. containment	MMG45FHKcan and MMG45FHKCAN6

OPTIONAL FEATURES

Fuel Tank/Containment Package:

A	26100B	1	Pan, 24 hr. containment
B	26406B	1	Tank, fuel - 78 gal. double wall
C	27628B	1	Skid, fork pocket extension - 36 hour run
D	26460B	1	Pan, 36 hour containment
E	26437B	1	Tank, fuel - 160 gallon

ENGINE ASSEMBLY



01497

ENGINE ASSEMBLY

ITEM	PART NO.	QTY	DESCRIPTION	NOTES
1	27470	1	Alternator, engine	
2	18105	1	Sensor, magnetic pick-up	
3	27228B	1	Plate, mag pick-up	
4	27471	1	Starter, engine	
5	27243	1	Engine, Kubota V3600	
6	60011	8	Washer, M12 split lock	
7	61087	8	Screw, M12-1.25 x 25 std hex, G10.9	
8	27221	1	Weldment, exhaust elbow	
9	60026	4	Washer, M10 split lock	
10	60344	4	Nut, M10-1.25 hex 18-8 ss	
11	27223	1	Kubota, coolant outlet port	
12	60238	3	Screw, M8-1.25 x 40 sflg hex, G8.8	
13	20447B	1	Weldment, engine mount	
14	27408	1	Belt, fan	
15	20445	1	Spacer, engine fan	
16	29515	1	Fan, pusher - 20.00 CW	
17	60029	4	Washer, M8 split lock	
18	61204	4	Screw, M8-1.25 x 20 std hex G10.9	
19	63076	3	Screw, M12-1.25 x 30 std hex, G10.9	
20	19467	1	Seal, M22	
21	19307	1	Fitting, strt-.500FNPT x M22 x 1.50	
22	60438	1	Fitting, nipple, pipe-.500NPT x close	
23	19279	1	Valve, ball .500NPTF	
24	61014	1	Fitting, 90° -.500MNPT x .625 barb brs	
25	60365	2	Clamp, hose - SAE 010 (.56-1.06)	
26	50201	.5 ft	Hose, coolant - .625 I.D.	
27	60502	1	Fitting, strt-.500MNPT x .625 barb brs	
28	61094	2	Screw, .500-13 x 3.500 std hex, G8	
29	18085	2	Washer, .510 snub 2.00/.130	
30	22788	2	Isolator, rubber 350lbs	
31	60416	2	Washer, .500 flat 1.375/.090	
32	62221	2	Nut, .500-13 hex nylock	
33	27472	1	Dipstick, oil fill	
34	27406	1	Filter, fuel	
35	Page 28	1	Assembly, air filter	
36	27407	1	Filter, oil	
37	18106	1	Sensor, oil pressure	
38	27438	1	Fitting, strt-.125FNPT x .125-28MBST	
39	12873	1	Sender, coolant temperature-.375NPT	
40	27473	1	Cap, oil fill	
41	27658	1	Actuator, governor	
42	60012	3	Washer, M12 flat	
-	20568	-	Assembly, engine	



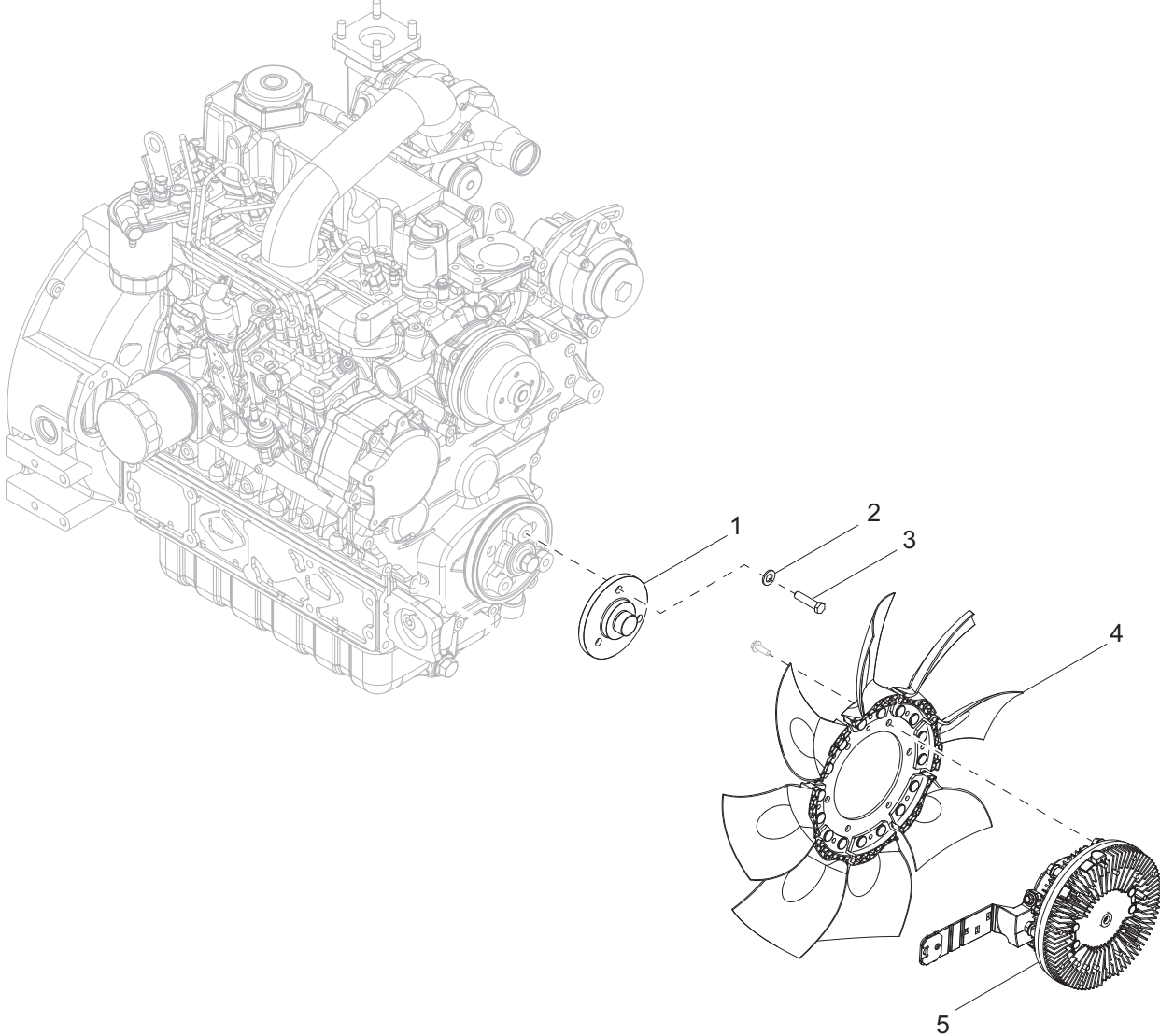
Items 1-41

OPTIONAL FEATURES

--	Page 36	1	Fan, clutch assembly
<i>Heated Fuel Filter:</i>			
A	13682	1	Heater, fuel filter
--	32334	1	Harness, heated fuel filter - inside
--	13515	1	Element, fuel filter - non-water separating
--	13834	1	Gasket, heated fuel filter

Note: Engine and generator parts used in all Generac Mobile Products equipment carry the Original Equipment Manufacturer (OEM) warranty unless otherwise stated. OEM warranty parts must be purchased through an OEM dealer. Please contact Generac Mobile Products with questions.

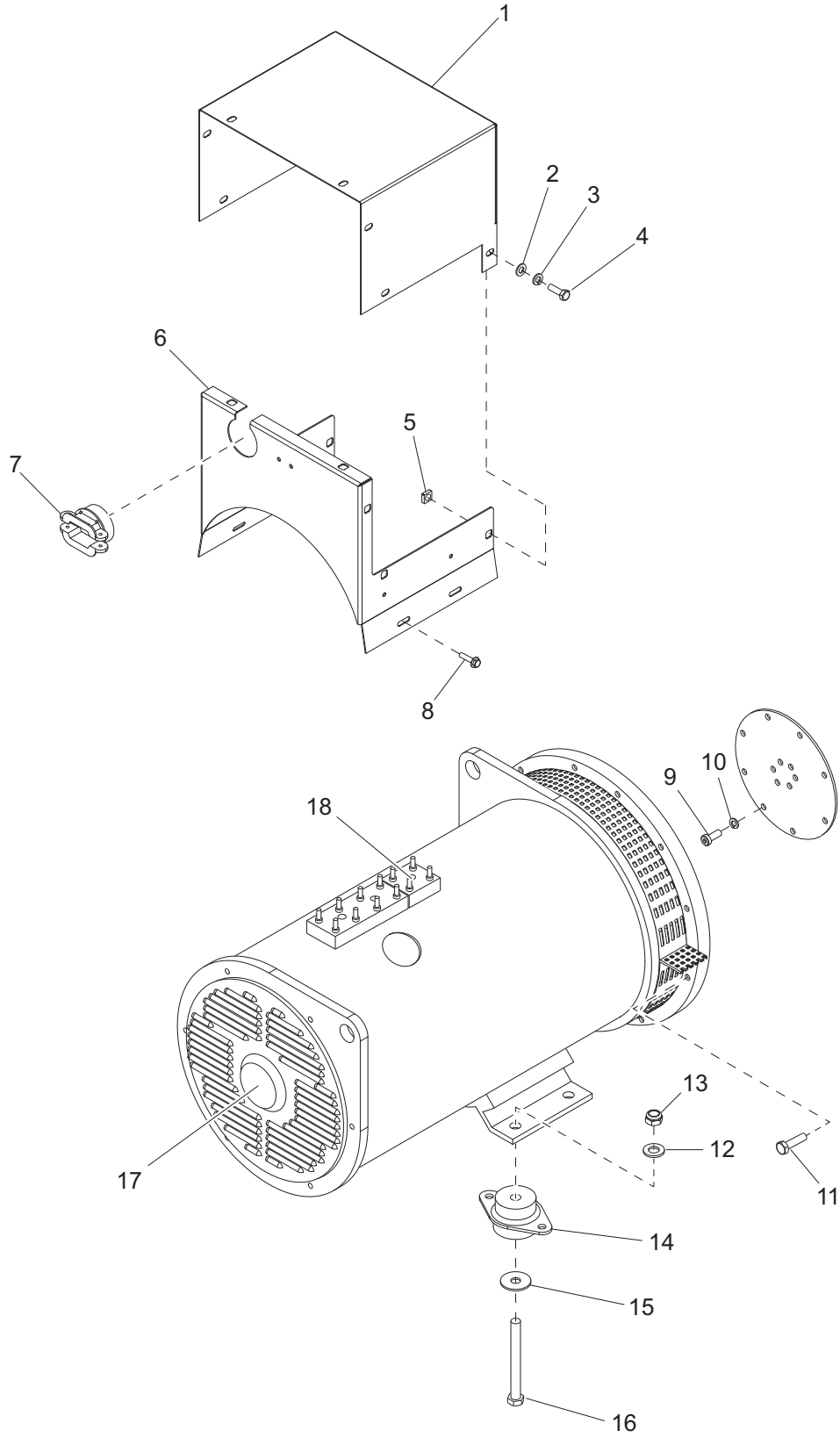
**CLUTCHED FAN ASSEMBLY - MMG45FHKCAN, MMG45FHKCAN6
(OPTIONAL FOR MMG45FHK)**



**CLUTCHED FAN ASSEMBLY - MMG45FHKCAN, MMG45FHKCAN6
(OPTIONAL FOR MMG45FHK)**

ITEM	PART NO.	QTY	DESCRIPTION	NOTES
1	29998	1	Hub, fan clutch mount - V3600	
2	60012	3	Washer, M12 flat LB DIN125	
3	63076	3	Screw, M12-1.25 x 30 std hex G10.9 ZC	
4	30024	1	Fan, engine - 20.0 for clutch 30023	
5	30023	1	Clutch, fan - for 20 in. fan	
--	60412	1	Nut, .312-18 hex G5 ZC	
--	60271	1	Washer, .312 split lock ZC	
--	60168	1	Screw, M12-1.25 x 30 std hex G10.9 ZC	
--	32019B	1	Bracket, clutch fan	
--	60113	2	Screw, M8-1.25 x 16 sflg hex G8.8 ZC	
--	60119	2	Washer, .312 flat .875/.070 ZC	

GENERATOR ASSEMBLY



01498

GENERATOR ASSEMBLY

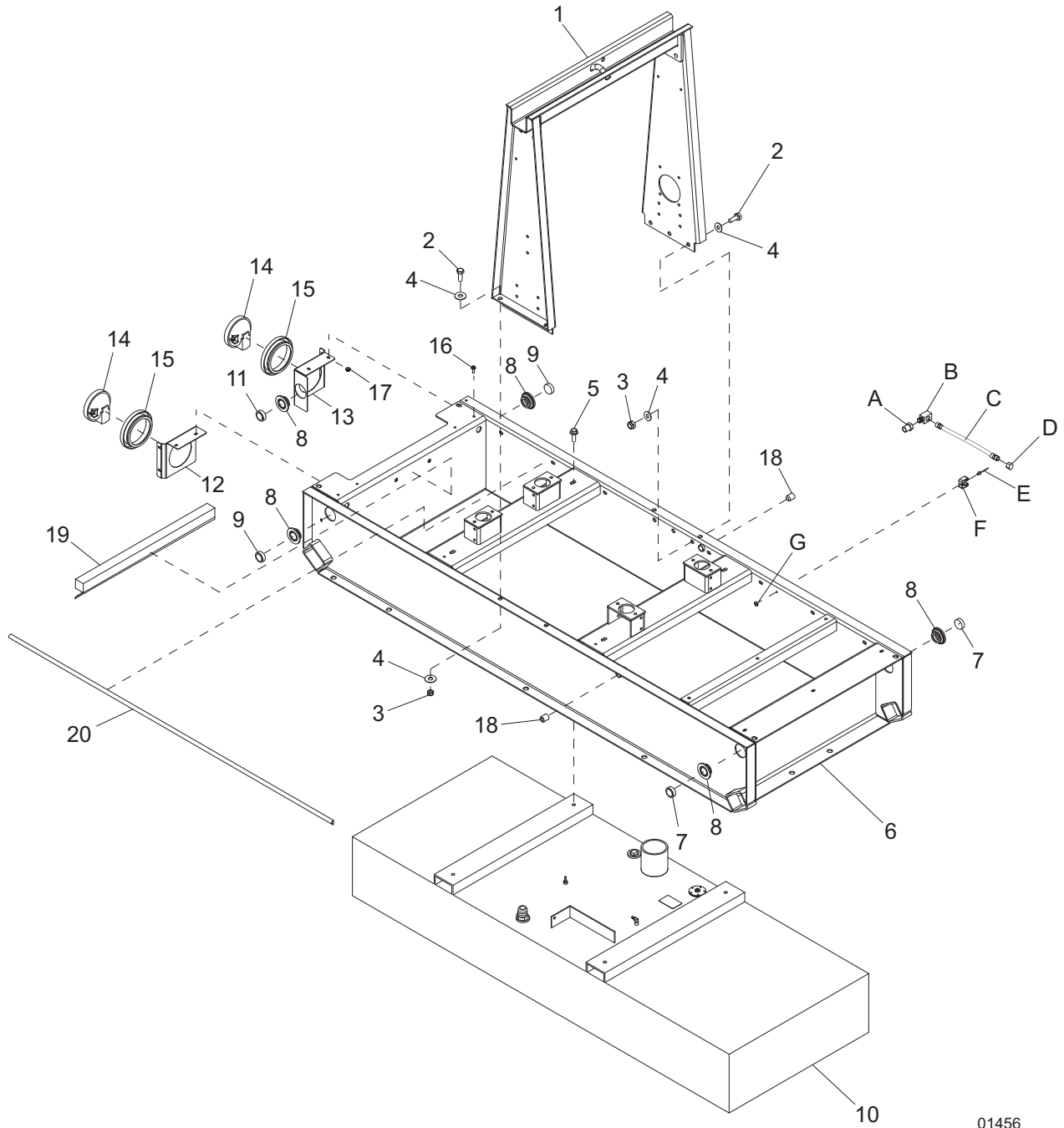
ITEM	PART NO.	QTY	DESCRIPTION	NOTES
1	26432B	1	Panel, gen box - cover	
2	60119	8	Washer, flat .312	
3	60271	8	Washer, split lock .312	
4	60168	8	Screw, .312-18 x .750 std hex, G5	
5	15425	8	Nut, .312-18 cage	
6	26431B	1	Panel, gen box - lower	
7	65788	1	Strain relief - 2.00 Romex	
8	60175	4	Screw, .250-20 x .500 sflg hex, G5	
9	60717	8	Screw, .375-16 x .750 soc hex	
10	60703	12	Washer, .375 split lock 18-8, SS	
11	60352	12	Screw, .375-16 x 1.25 std hex, G5	
12	60416	2	Washer, .500 flat 1.375/.090	
13	62221	2	Nut, .500-13 nylock, G5	
14	22788	2	Isolator, rubber 350lbs	
15	18085	2	Washer, .510 snub 2.00/.130	
16	61094	2	Screw, .500-13 x 3.50 std hex, G8	
17	21261	1	Generator, 284PSL1508	MMG45FHK & CAN
--	34238	1	Generator, 284PSL5258	MMG45FHKCAN6
18	65519	1	Block, terminal - 4 pole	
--	21264	1	Assembly, generator	

OPTIONAL FEATURES - MMG45FHK AND MMG45FHKCAN ONLY

--	24167	1	Generator, Marathon, 286PSL1701
----	-------	---	---------------------------------

Note: Engine and generator parts used in all Generac Mobile Products equipment carry the Original Equipment Manufacturer (OEM) warranty unless otherwise stated. OEM warranty parts must be purchased through an OEM dealer. Please contact Generac Mobile Products with questions.

SKID ASSEMBLY
Starting Serial Number 103174



01456

SKID ASSEMBLY

Starting Serial Number 1031774

ITEM	PART NO.	QTY	DESCRIPTION	NOTES
1	Page 42	1	Assembly, lift structure	
2	60388	10	Screw, .500-13 x 1.50 std hex, G5	
3	62221	10	Nut, .500-13 hex nylock	
4	60309	20	Washer, .500 flat 1.060/.090	
5	61101	4	Screw, .500-13 x 1.50 std hex, G8	
6	29580B	1	Weldment, skid	
7	66702	2	Light, clearance - 2.0 in. amber, LED	
8	66394	5	Grommet, rubber 2.0 in	
9	66703	2	Light, clearance - 2.0 in. red, LED	
10	Page 32	1	Assembly, fuel tank	
11	66704	2	Light, utility - 2.0 in. clear, LED	
12	29673B	1	Bracket, rear light right side	
13	29674B	1	Bracket, rear light left side	
14	66701	2	Light, rear tail/turn round - LED	
15	10221	2	Grommet, rear light, rubber 4.5 in	
16	60479	4	Screw, .250-20 x 1.00 sflg hex, G5	
17	60161	8	Nut, .250-20 sflg, G5	
18	18394	2	Fitting, plug-.500NPT x internal hex	
19	26395	1	Foam, tank sealing	
20	50358	13.42 ft	Seal, rubber - bubble type	

OPTIONAL FEATURES

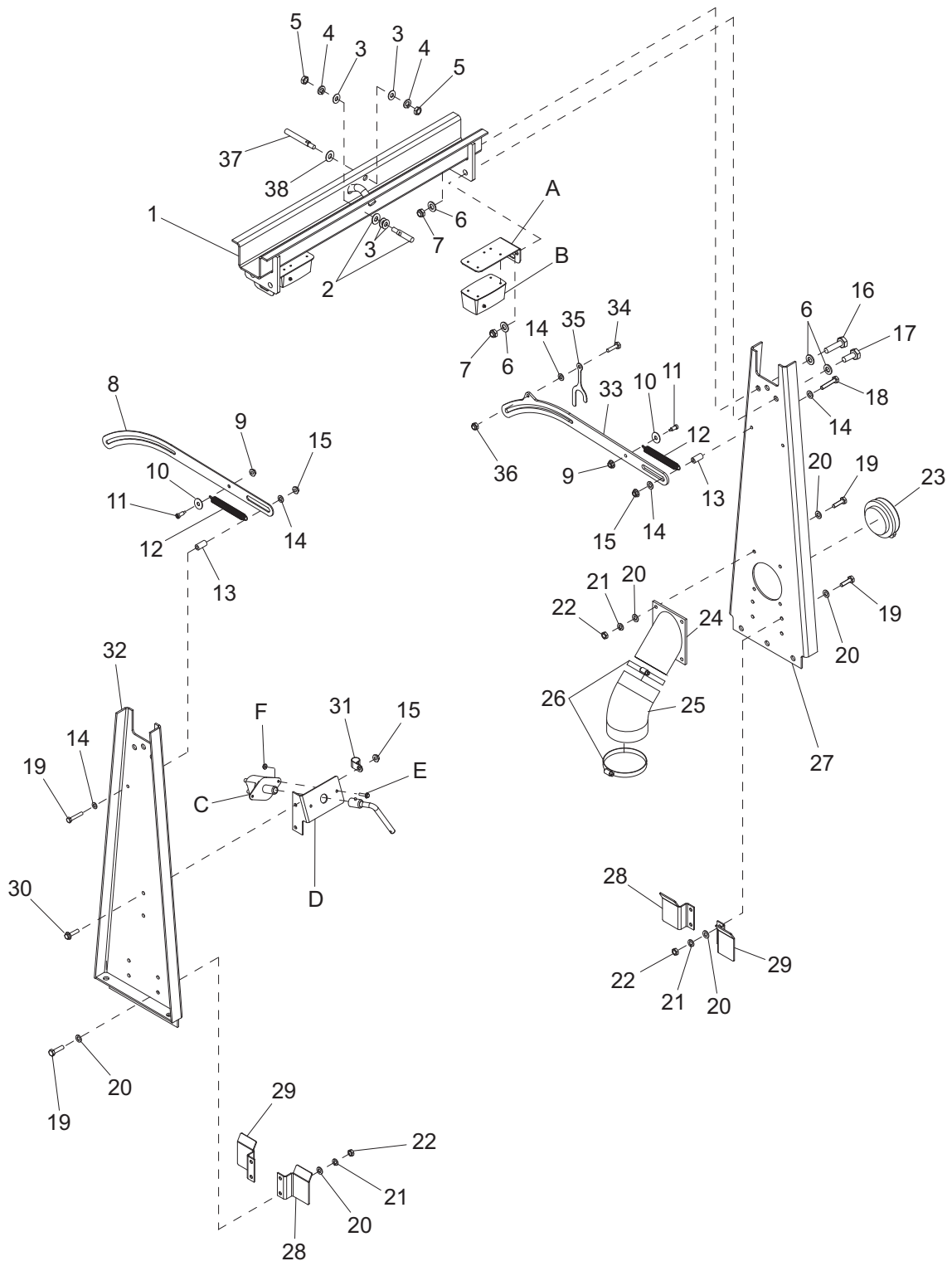
Oil Drain (Tandem Tow):

A	22570	1	Fitting, strt-.500MNPT x .375FNPT
B	15396	1	Fitting, .375NPT x 90° brass
C	19168	1	Hose assy, radiator drain, .375 x 20, 30R7
D	19300	1	Fitting, .375FNPT cap hex
E	60231	1	Rivet, .188 dia. x .375 to .500 grip
F	19041	1	Clip, spring holder
G	60237	1	Washer, flat SAE #10

Incandescent Lights:

--	66396	2	Light, clearance - 2.0 in. amber
--	66397	2	Light, clearance - 2.0 in. red
--	66395	1	Light, utility, 2.0 in. clear
--	10220	2	Light, rear tail/turn round
--	10221	2	Grommet, rear light rubber 4.5 in

LIFT STRUCTURE ASSEMBLY



LIFT STRUCTURE ASSEMBLY

ITEM	PART NO.	QTY	DESCRIPTION	NOTES
1	24212B	1	Weldment, top lift channel	
2	23643	1	Pin, striker - 1.875	
3	60416	4	Washer, .500 flat 1.375/0.90	
4	60276	2	Washer, .500 split lock	
5	24046	2	Striker nut, .438	
6	60309	12	Washer, .500 flat 1.060/.090	
7	62221	6	Nut, .500-13 nylock, G5	
8	24779B	1	Link, hood hold open	
9	60145	2	Nut, .375-16 sflg, G5	
10	60386	2	Washer, .375 flat .993/.064	
11	61062	2	Screw, shld, .375 x .625 soc hex raw	
12	24823	2	Spring, rear hood	
13	24925B	2	Spacer, 1.00 long	
14	60340	3	Washer, .312 flat .875/.040 18-8, SS	
15	60095	4	Nut, .312-18 sflg	
16	60484	1	Screw, .500-13 x 2.00 std hex, G5	
17	60388	5	Screw, .500 - 13 x 1.50 std hex, G5	
18	60785	1	Screw, .312-18 x 2.00 std hex 18-8, SS	
19	61036	13	Screw, .375-16 x 1.25 std hex 18-8, SS	
20	60698	24	Washer, .375 flat .875/.040 18-8, SS	
21	60206	12	Washer, .375 split lock hardened	
22	60140	12	Nut, .375-16 hex	
23	23707	1	Cap, fuel fill - 3.50	
24	24296B	1	Weldment, fuel fill	
25	22286	1	Elbow, 45° molded rubber	
26	19842	2	Clamp, hose	
27	24519B	1	Weldment, lift post - left	
28	28524B	2	Brckt, hd guide - lt/frnt, rt/rr	
29	28523B	2	Brckt, hd guide - rt/frnt, lt/rr	
30	61091	2	Screw, .312-18 x 1.00 sflg hex, G5	
31	60716	1	Clamp, tubing - 1.50 lt duty	
32	24520B	1	Weldment, lift post - right	
33	41573B	1	Link, hood hold open	
34	60654	1	Screw, .312-18 x 1.00 btn hex 18-8, SS	
35	41568R	1	Latch, anti-shut	
36	60303	1	Nut, .312-18 hex nylock	
37	26979ZY	1	Pin, striker - 3.25	
38	24196	1	Washer, striker pin	

OPTIONAL FEATURES

Interior light:

A	26096B	2	Bracket, interior light
B	11947	2	Light, interior with switch
--	66943	1	Harness, interior light

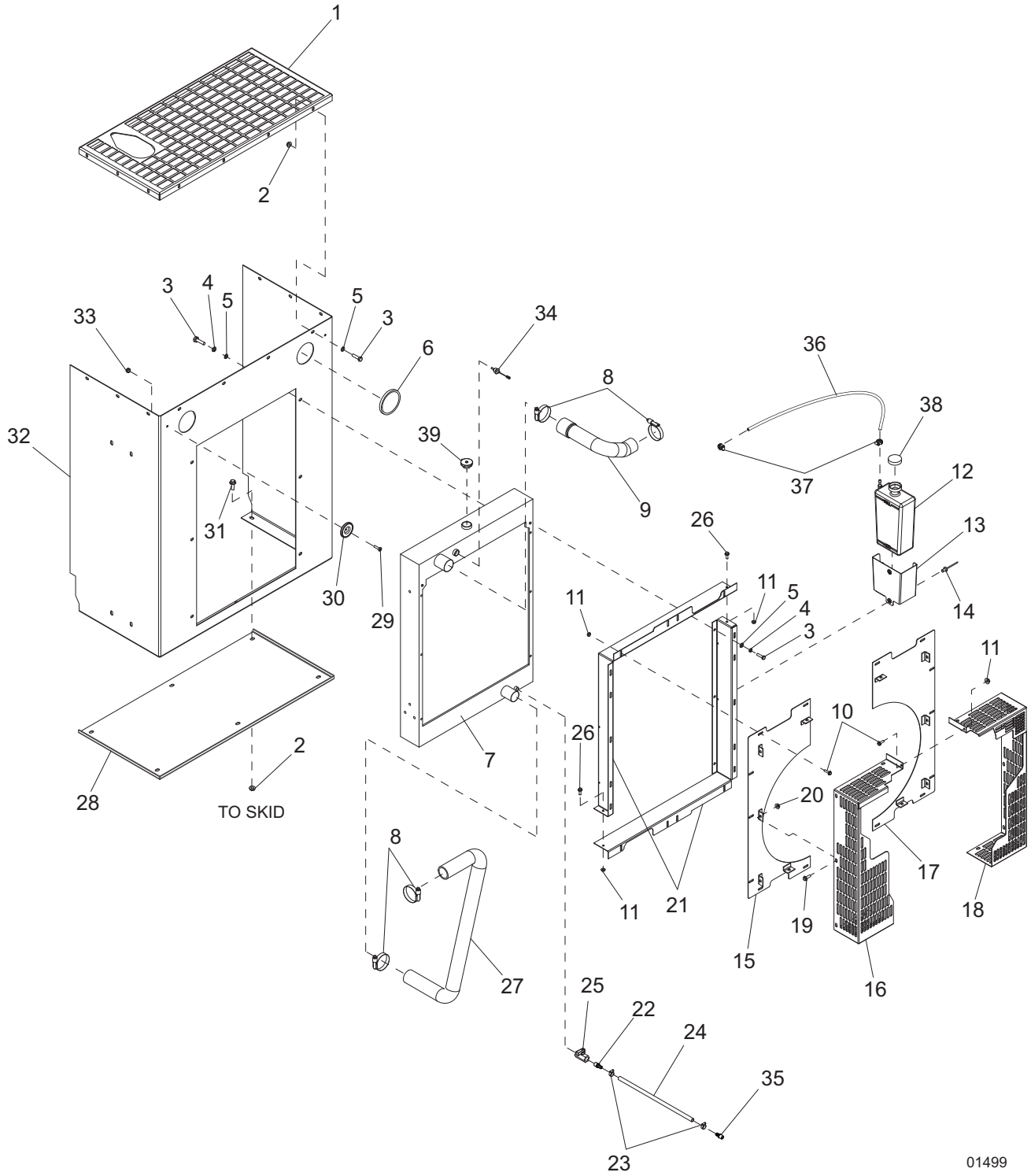
Battery disconnect:

C	21489	1	Battery disconnect switch
D	26095B	1	Bracket, battery disconnect
E	60523	2	Screw, .250-20 x .875 sflg hex
F	60161	2	Nut, .250-20 sflg, G5
--	27517	1	Cable, battery - 22 in. 2/0 blk .5 in. lug

Fire extinguisher:

--	14509	1	Fire extinguisher - 5 lbs
--	23397	1	Bracket, fire extinguisher

COOLING SYSTEM ASSEMBLY

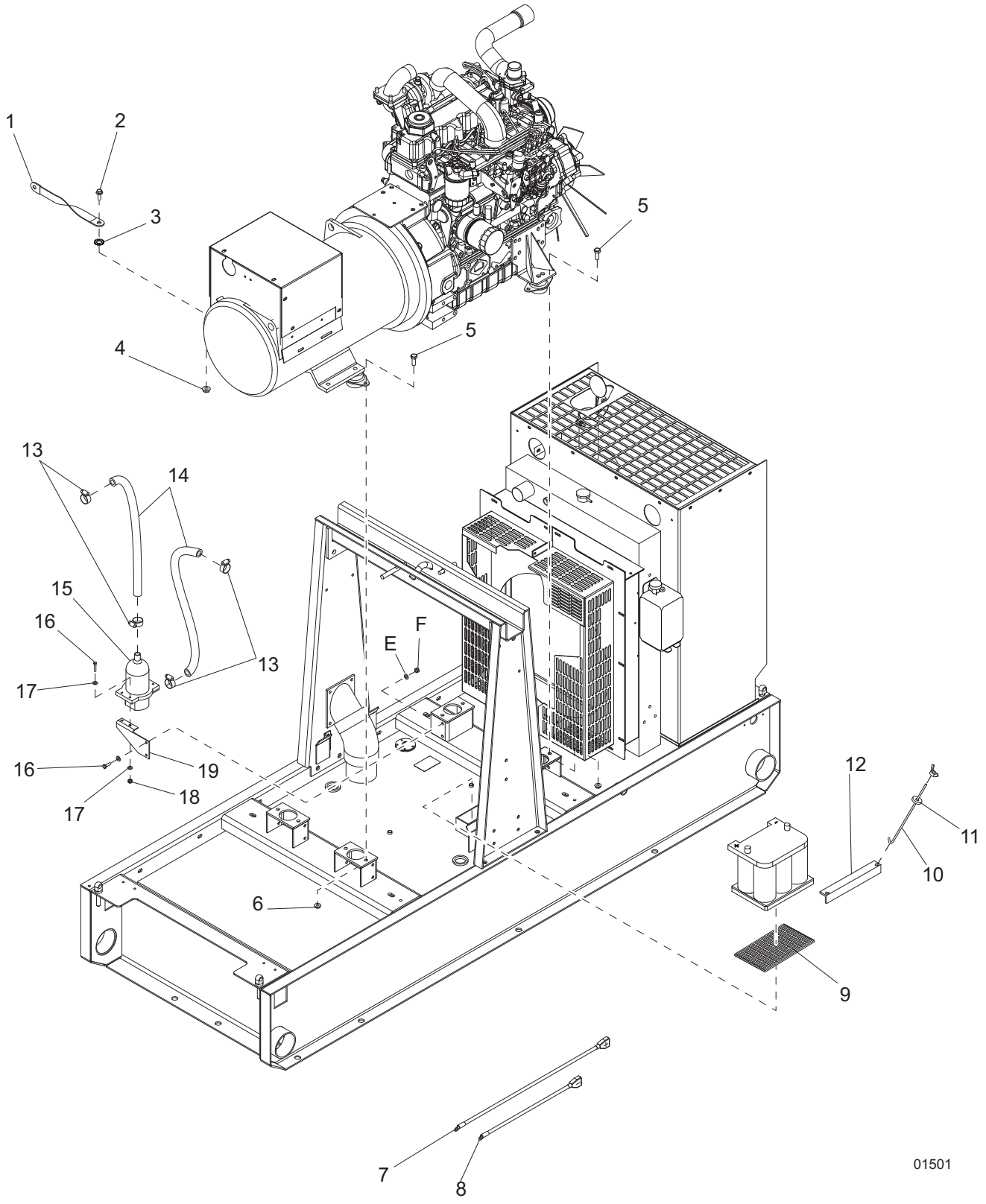


01499

COOLING SYSTEM ASSEMBLY

ITEM	PART NO.	QTY	DESCRIPTION	NOTES
1	24309B	1	Panel, roof outlet	
2	60095	16	Nut, .312-18 sflg	
3	60168	22	Screw, .312-18 x .750 hex hd	
4	60271	12	Washer, split lock .312	
5	60119	22	Washer, flat .312	
6	27434	1	Plug, 3 in. hole-nylon press-in	
7	27187	1	Radiator	
8	60316	4	Clamp, hose - SAE 032 (1.56-2.5)	
9	20580	1	Hose, radiator - upper	
10	60479	15	Screw, .250-20 x 1.00 sflg hex, G5	
11	60161	17	Nut, .250-20 sflg, G5	
12	24952	1	Jug, overflow 2.5 qt.	
13	26211B	1	Bracket, overflow jug	
14	60268	2	Rivet, .188 dia. x .126 to .250 grip	
15	20443B	1	Weldment, fan guard - left	
16	27218B	1	Guard, fan - left	
17	20444B	1	Weldment, fan guard - right	
18	27219B	1	Guard, fan - right	
19	60149	10	Screw, .312-18 x .500 hex, G5	
20	60303	10	Nut, .312-18 nylock, G2	
21	27216B	2	Radiator shroud	
22	19180	1	Fitting, strt-.375MNPT x .312 barb	
23	14216	2	Clamp, hose - SAE 004 (.21-.62) miniature	
24	50018	.750 ft	Hose, fuel - .312 ID 50 psi	
25	62032	1	Valve, ball .375NPTF - mini	
26	60175	2	Screw, .250-20 x .500 sflg hex, G5	
27	27888	1	Hose, lower radiator	
28	24849B	1	Panel, bulkhead - lower	
29	60068	2	Screw, 10-24 x .500 pan phil	
30	24950	2	Magnet, disc - 2.03 in	
31	61091	5	Screw, .312-18 x 1.00 sflg hex	
32	24848B	1	Panel, bulkhead	
33	60457	2	Nut, 10-24 nylock	
34	65592	1	Sensor, low coolant	
35	60999	1	Fitting, strt-.500MNPT x .312 barb	
36	50018	1.66 ft	Hose, fuel - .312 ID 50 psi	
37	14216	2	Clamp, hose - SAE 004 (.21-.62) miniature	
38	19714	1	Cap, overflow bottle	
39	19219	1	Cap, radiator pressure small	

ENGINE TO SKID ASSEMBLY



01501

ENGINE TO SKID ASSEMBLY

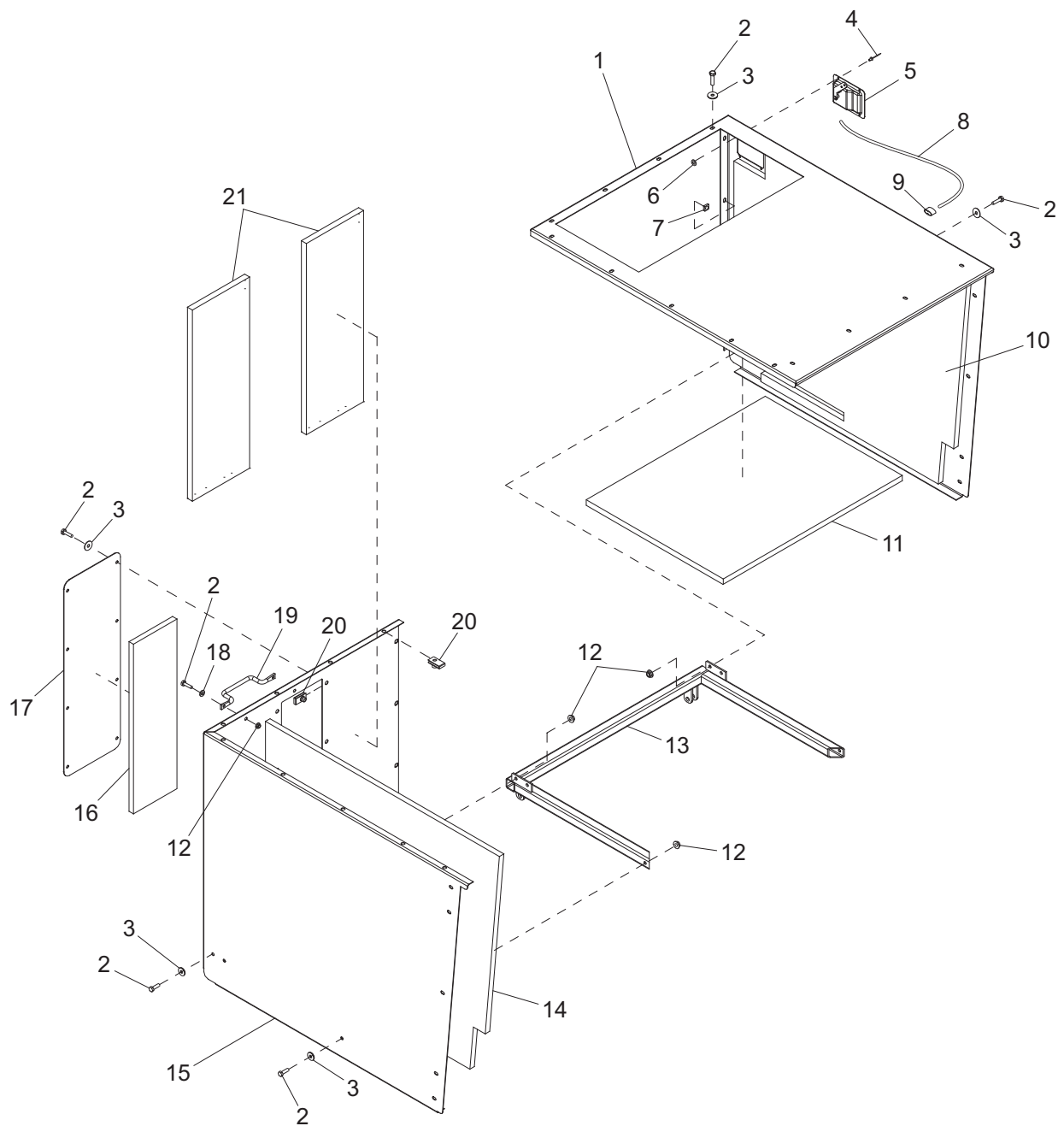
ITEM	PART NO.	QTY	DESCRIPTION	NOTES
1	19042	1	Strap, ground - 10 in.	
2	60353	2	Screw, .375-16 x 1.00 flg hex, G2 self tapping	
3	60053	2	Washer, .375 ext star ZC	
4	60145	2	Nut, .375-16 sflg	
5	60205	8	Screw, .375-16 x 1.00 std hex, G5	
6	60358	8	Nut, .375-16 hex nylock	
7	24777	1	Cable, battery red	
8	24778	1	Cable, battery blk	
9	41185	1	Battery pad	
10	60820	2	Bolt, J - .250-20 x 9.00 w/ wing nut	
11	60053	2	Washer, .375 ext star ZC	
12	41055B	1	Bracket, battery tie-down	
13	60365	4	Clamp, hose - SAE 010 (.56-1.06)	MMG45FHKCAN and MMG45FHKCAN6 only
14	50201	2	Hose, .625 horizon 200 psi class A - 1.83 ft	MMG45FHKCAN and MMG45FHKCAN6 only
15	25914	1	Heater, coolant	MMG45FHKCAN and MMG45FHKCAN6 only
16	60393	4	Screw, .250-20 x 1.00 std hex	MMG45FHKCAN and MMG45FHKCAN6 only
17	60243	8	Washer, .250 flat .735/.060, ZC	MMG45FHKCAN and MMG45FHKCAN6 only
18	60144	4	Nut, .250-20 nylock	MMG45FHKCAN and MMG45FHKCAN6 only
19	26092B	1	Bracket, coolant heater	MMG45FHKCAN and MMG45FHKCAN6 only

OPTIONAL FEATURES

Hotstart

13	60365	4	Clamp, hose - SAE 010 (.56-1.06)
14	50201	2	Hose, .625 horizon 200 psi class A - 1.83 ft
15	25914	1	Heater, coolant
16	60393	4	Screw, .250-20 x 1.00 std hex
17	60243	8	Washer, .250 flat .735/.060, ZC
18	60144	4	Nut, .250-20 nylock
19	26092B	1	Bracket, coolant heater

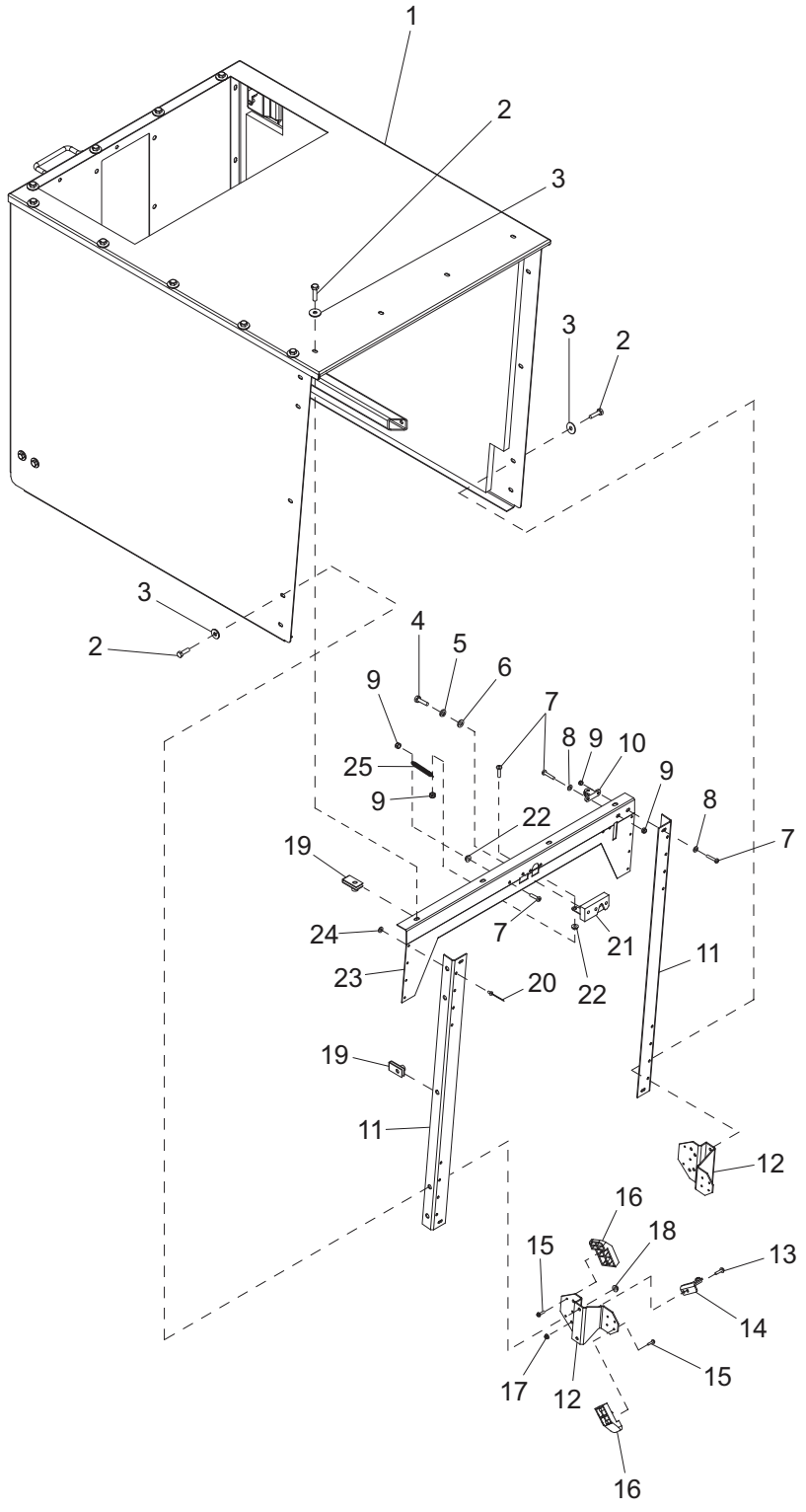
FRONT HOOD ASSEMBLY (1 OF 2)



FRONT HOOD ASSEMBLY (1 OF 2)

ITEM	PART NO.	QTY	DESCRIPTION	NOTES
1	24206W	1	Panel, front upper hood	
2	60507	23	Screw, .312-18 x 1.00 std hex, SS	
3	60452	23	Washer, .313 flat 1.125/1.0 bonded rubber	
4	60268	4	Rivet, .188 dia. x .126 to .250 grip	
5	24676	1	Latch, paddle	With padlock handle
6	60237	4	Washer, flat SAE #10	
7	15425	4	Nut, .312-18 cage	
8	24677	1	Cable, remote latch - 56 in.	
9	24678	1	Crimp, cable	
10	26200	1	Foam, front right panel	
11	26203	1	Foam, front top panel	
12	60095	8	Nut, .312-18 sflg	
13	26280B	1	Weldment, front hood hinge	
14	26201	1	Foam, front left panel	
15	24207W	1	Panel, front side hood	
16	24962	1	Foam, front cutout	
17	24828W	1	Panel, actuator clearance	
18	60340	2	Washer, .312 flat .875/.040 18-8, SS	
19	26288	1	Handle, front hood access	
20	60505	17	Nut, .312-18 U-clip – long type	
21	30163	2	Foam, front panel	
--	50187	1	Seal, door D-shaped (.750)	
--	50197	6.33 ft	Weatherstripping - .06 x 1.00 (100 ft. per roll)	
--	50354	19 ft	Seal, rubber - bubble	

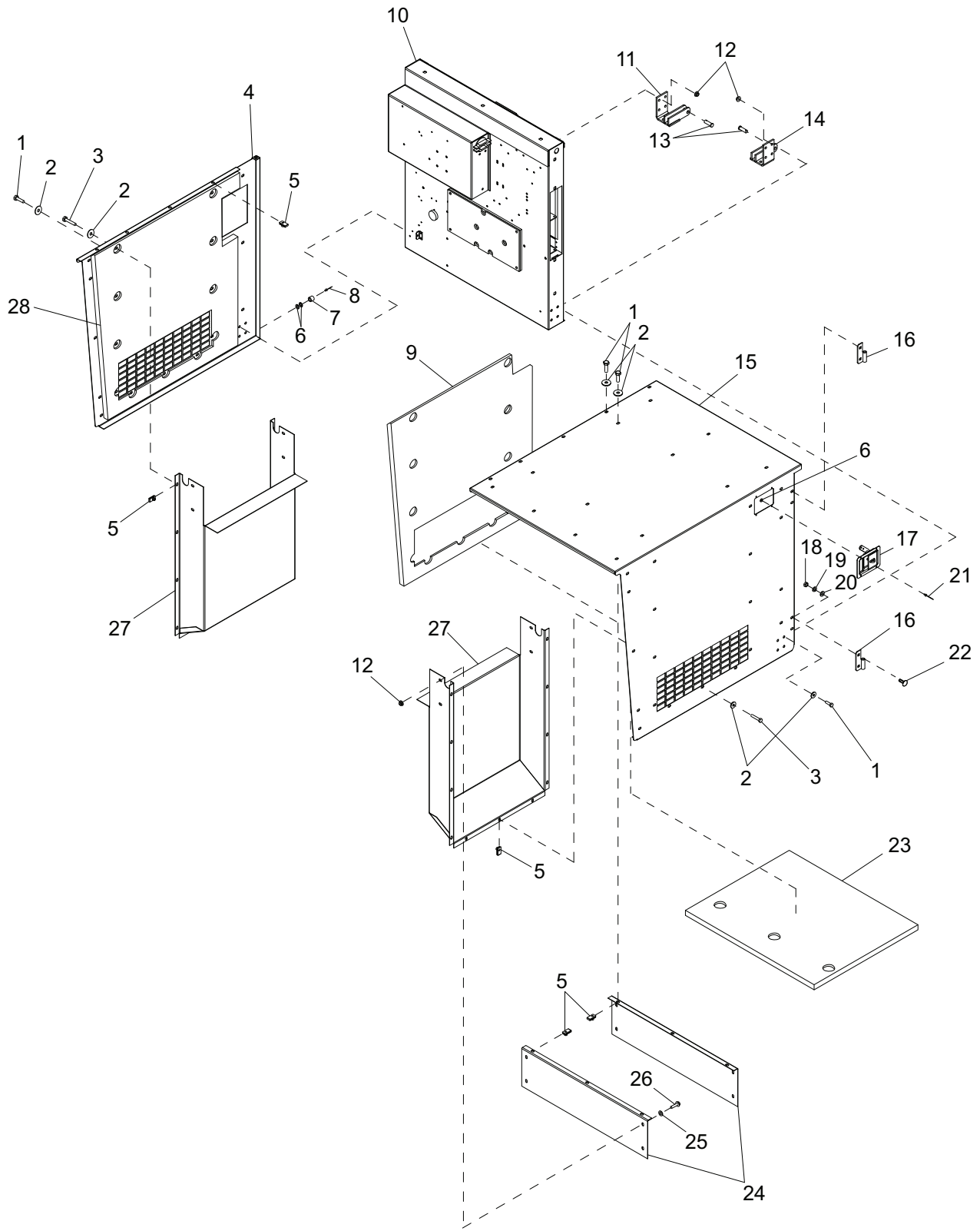
FRONT HOOD ASSEMBLY (2 OF 2)



FRONT HOOD ASSEMBLY (2 OF 2)

ITEM	PART NO.	QTY	DESCRIPTION	NOTES
1	<i>Page 48</i>	1	Assembly, front hood	
2	60507	41	Screw, .312-18 x 1.00 std hex, SS	
3	60452	39	Washer, .313 flat 1.125/1.0 bonded rubber, SS	
4	60523	3	Screw, .250-20 x .875 sflg hex	
5	60286	3	Washer, .250 split lock	
6	60243	3	Washer, .250 flat .735/.060	
7	60062	4	Screw, 10-32 x .750 pan phil, G2	
8	60269	2	Washer, #8 flat .433/.036	
9	60061	4	Nut, 10-32 nylock	
10	24441	1	Pulley, cable - .750 in.	
11	24218B	2	Bracket, side sealing	
12	24538B	2	Weldment, front alignment bracket	
13	60479	4	Screw, .250-20 x 1.00 sflg hex, G5	
14	24539ZC	2	Bracket, front hood stop	
15	60426	8	Screw, 8-18 x .750 flg hex, G2	
16	30249	4	Shoe, hood guide - molded	
17	60161	4	Nut, .250-20 sflg, G5	
18	60095	10	Nut, .312-18 sflg	
19	60505	27	Nut, .312-18 U-clip – long type	
20	60268	8	Rivet, .188 dia. x .126 to .250 grip	
21	26287	1	Latch, remote right	With spring return
22	61045	2	Nut, 10-32 sflg	
23	24219B	1	Bracket, top sealing	
24	60237	12	Washer, #10 flat .495/.036	
25	26162	1	Spring, rear hood	
--	24208	--	Assembly, front hood	Items 1-21

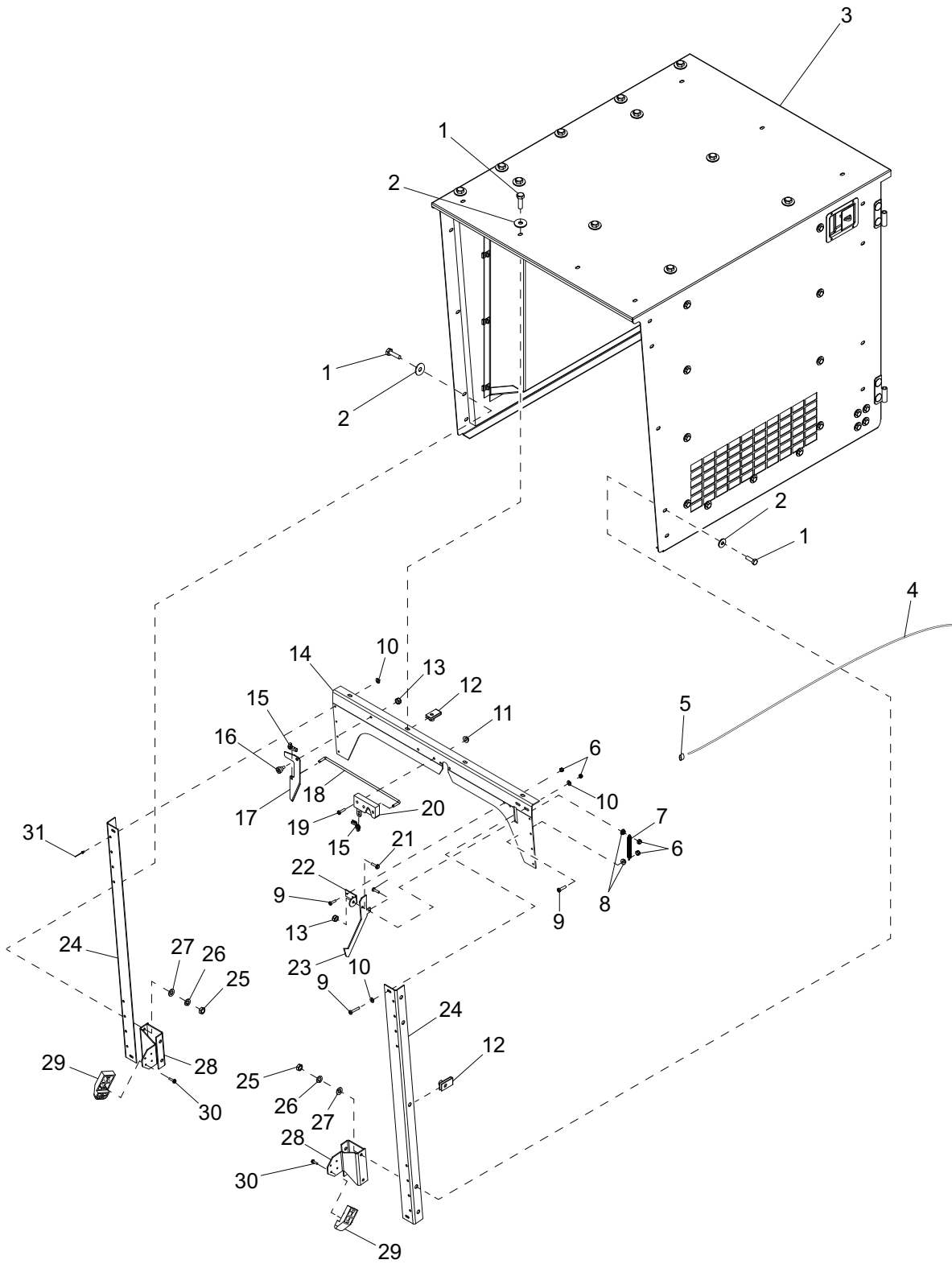
REAR HOOD ASSEMBLY (1 OF 2)



REAR HOOD ASSEMBLY(1 OF 2)

ITEM	PART NO.	QTY	DESCRIPTION	NOTES
1	60507	30	Screw, .312-18 x 1.00 std hex, SS	
2	60452	52	Washer, .313 flat 1.125/1.0 bonded rubber	
3	61052	22	Screw, .312-18 x 1.50 std hex	
4	24221W	1	Panel, rear side hood	
5	60505	42	Nut, .312-18 U-clip – long type	
6	60237	14	Washer, flat SAE #10	
7	15215	1	Rubber bumper	
8	60267	1	Rivet, .125 dia. x .191 to .270 grip	
9	26205	1	Foam, rear left panel	
10	Page 16	1	Assembly, control box	
11	24216B	1	Weldment, hood hinge - rt	
12	60095	16	Nut, .312-18 sflg	
13	60745	2	Pin, clevis- .500 dia. x 1.25 (slic)	
14	24217B	1	Weldment, hood hinge - lt	
15	24220W	1	Panel, rear upper hood	
16	18462	2	Hinge, left (female)	
17	24676	1	Latch, paddle	Padlock handle
18	60515	4	Nut, .312 - 18 hex, SS	
19	60701	4	Washer, split lock .31	
20	60340	4	Washer, .312 flat .875/.040 18-8, SS	
21	60268	4	Rivet, .188 dia. x .126 to .250 grip	
22	61066	4	Screw, .312-18 x 1.00 carr sqr	
23	26206	1	Foam, rear top panel	
24	24262B	2	Panel, rear duct back	
25	60119	12	Washer, flat .312	
26	61061	8	Screw, .312-18 x .875 hex hd	
27	24261W	2	Panel, rear duct lower	
28	26204	1	Foam, rear right panel	
--	50354	15.83 ft	Seal, rubber bubble	

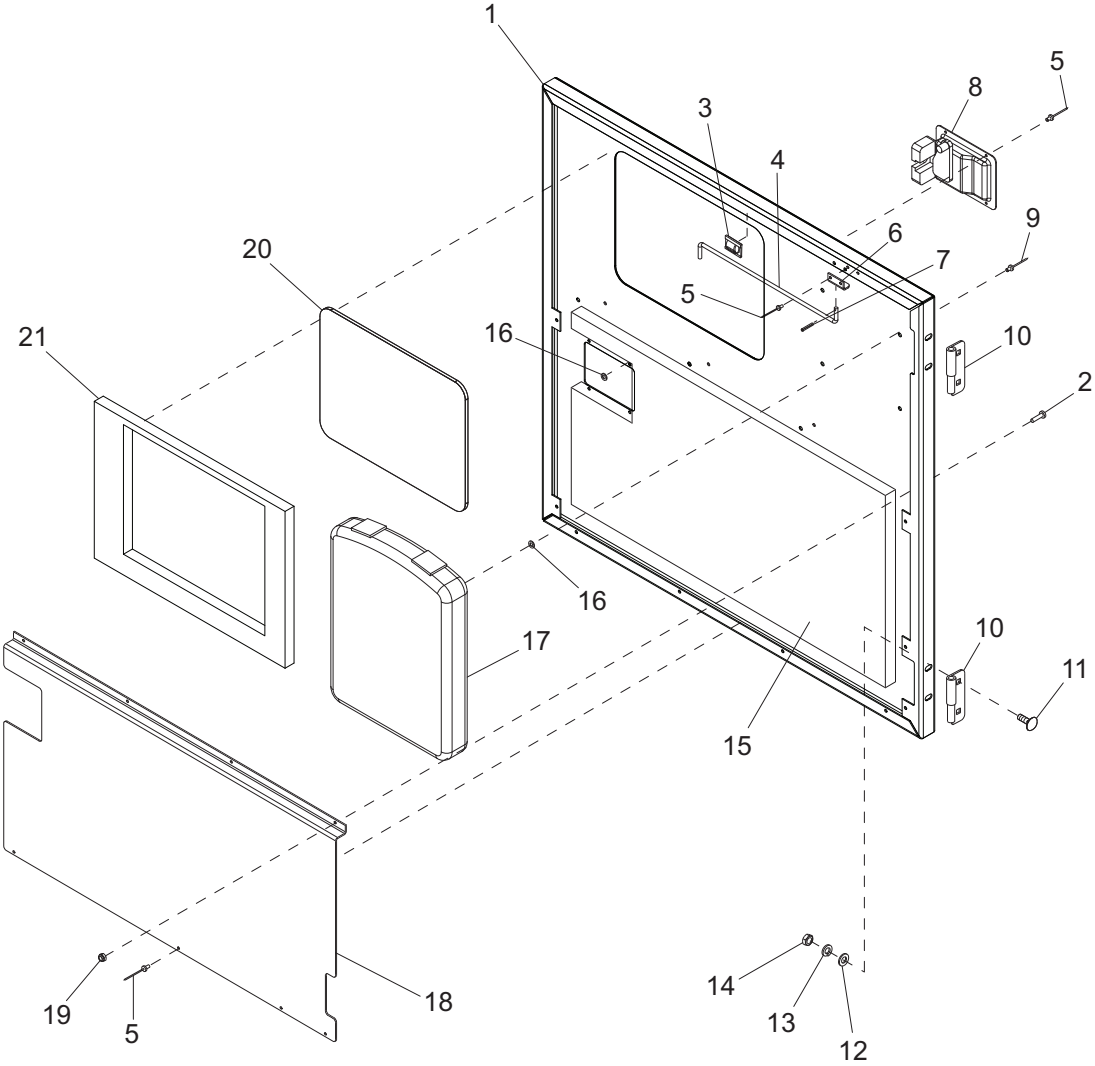
REAR HOOD ASSEMBLY (2 OF 2)



REAR HOOD ASSEMBLY (2 OF 2)

ITEM	PART NO.	QTY	DESCRIPTION	NOTES
1	60507	14	Screw, .312-18 x 1.00 std hex, SS	
2	60452	14	Washer, .313 flat 1.125/1.0 bonded rubber	
3	<i>Page 52</i>	1	Assembly, rear hood	
4	24677	1	Cable, remote latch - 56 in.	
5	24678	1	Crimp, cable	
6	60061	4	Nut, 10-32 nylock	
7	26162	1	Spring, rear hood	
8	61045	2	Nut, 10-32 sflg	
9	60062	5	Screw, 10-32 x .750 pan phil, G2	
10	60237	10	Washer, flat SAE #10	
11	60161	3	Nut, .250-20 sflg, G5	
12	60505	10	Nut, .312-18 U-clip – long type	
13	60144	2	Nut, .250-20 nylock, G5	
14	26978B	1	Bracket, top sealing - rear	
15	23717	2	Clip, rod locking - "L" on flat	
16	61138	1	Screw, shoulder x .250 lg	
17	26390R	1	Handle, inside release	
18	26391Z	1	Rod, inside handle	
19	60143	3	Screw, pan phil, G5	
20	26385	1	Latch, remote left	With spring return
21	60391	1	Screw, std hex, G5	
22	24822B	1	Bracket, prop rod	
23	24850ZC	1	Plate, secondary latch	
24	24218B	2	Bracket, side sealing	
25	60285	2	Nut, .312-18 hex hd	
26	60271	2	Washer, split lock .312	
27	60119	2	Washer, flat .312	
28	24450B	2	Weldment, hood locator	
29	30249	2	Shoe, hood guide - molded	
30	60426	4	Screw, 8-18 x .750 flg hex, G2	
31	60231	8	Rivet, .188 dia. x .375 to .500 grip	
--	21578	--	Assembly, rear hood	Items 1-28

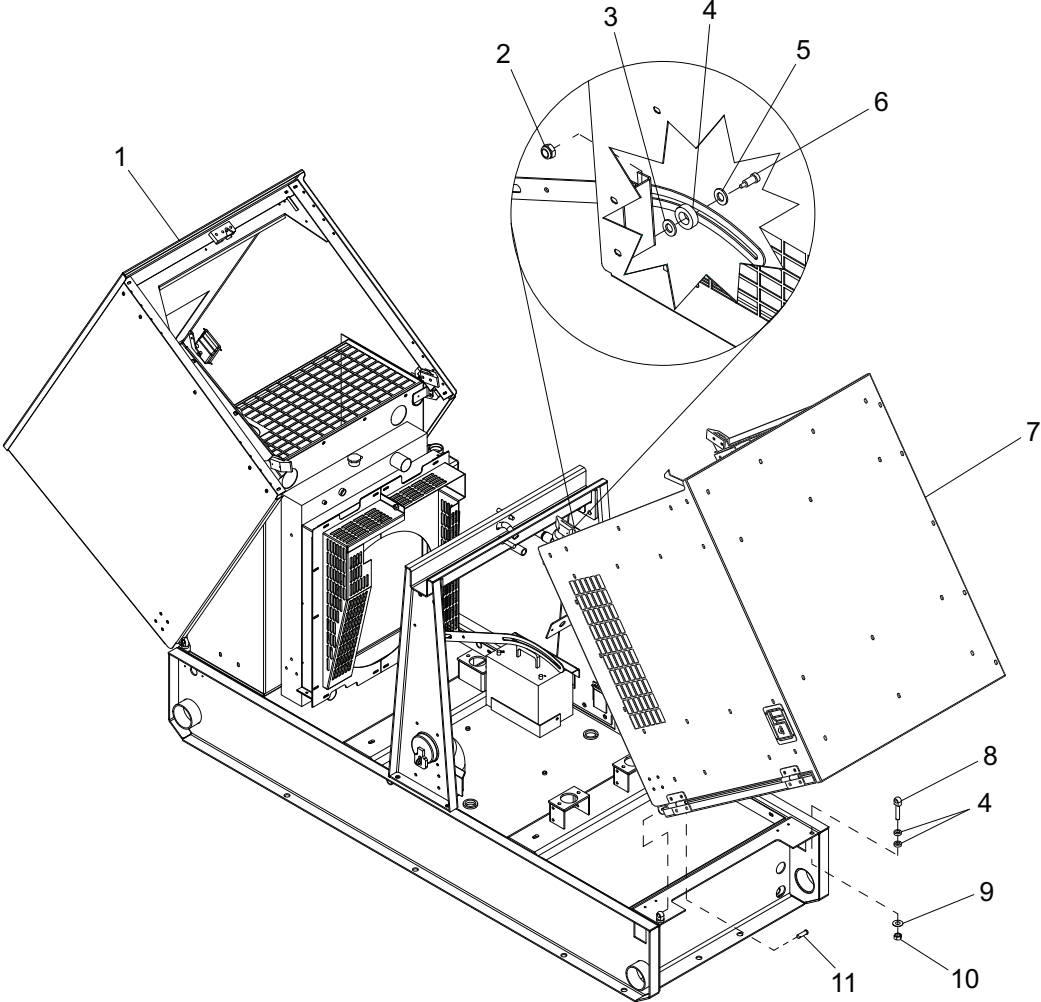
CONTROL DOOR ASSEMBLY



CONTROL DOOR ASSEMBLY

ITEM	PART NO.	QTY	DESCRIPTION	NOTES
1	21448W	1	Door, rear control	
2	60850	12	Screw, 10-24 x .750 pan phil	
3	61055	1	Clip, rod hold	
4	21370Z	1	Rod, door prop	
5	60268	10	Rivet, .188 dia. x .126 to .250 grip	
6	20916Z	1	Bracket, prop rod	
7	60048	1	Pin, roll .125 x .625	
8	23641	1	Latch, rotating element	With handle
9	60231	4	Rivet, .188 dia. x .375 to .500 grip	
10	18459	2	Hinge, left (male)	
11	61066	4	Screw, .312-18 x 1.00 carr sqr	
12	60340	4	Washer, .312 flat .875/.040 18-8, SS	
13	60701	4	Washer, split lock .312, SS	
14	60515	4	Nut, .312-18 hex	
15	26285	1	Foam, control door lower	
16	60237	12	Washer, flat SAE #10, ZP	
17	24540	1	Holder, manual (plastic)	
18	26276W	1	Panel, door stiffener	
19	60457	12	Nut, 10-24 nylock	
20	21477	1	Window, control door	
21	21577	1	Foam, control door - FH	
--	50192	4.6 ft	Tape, double sided, type VHB	Attaches window

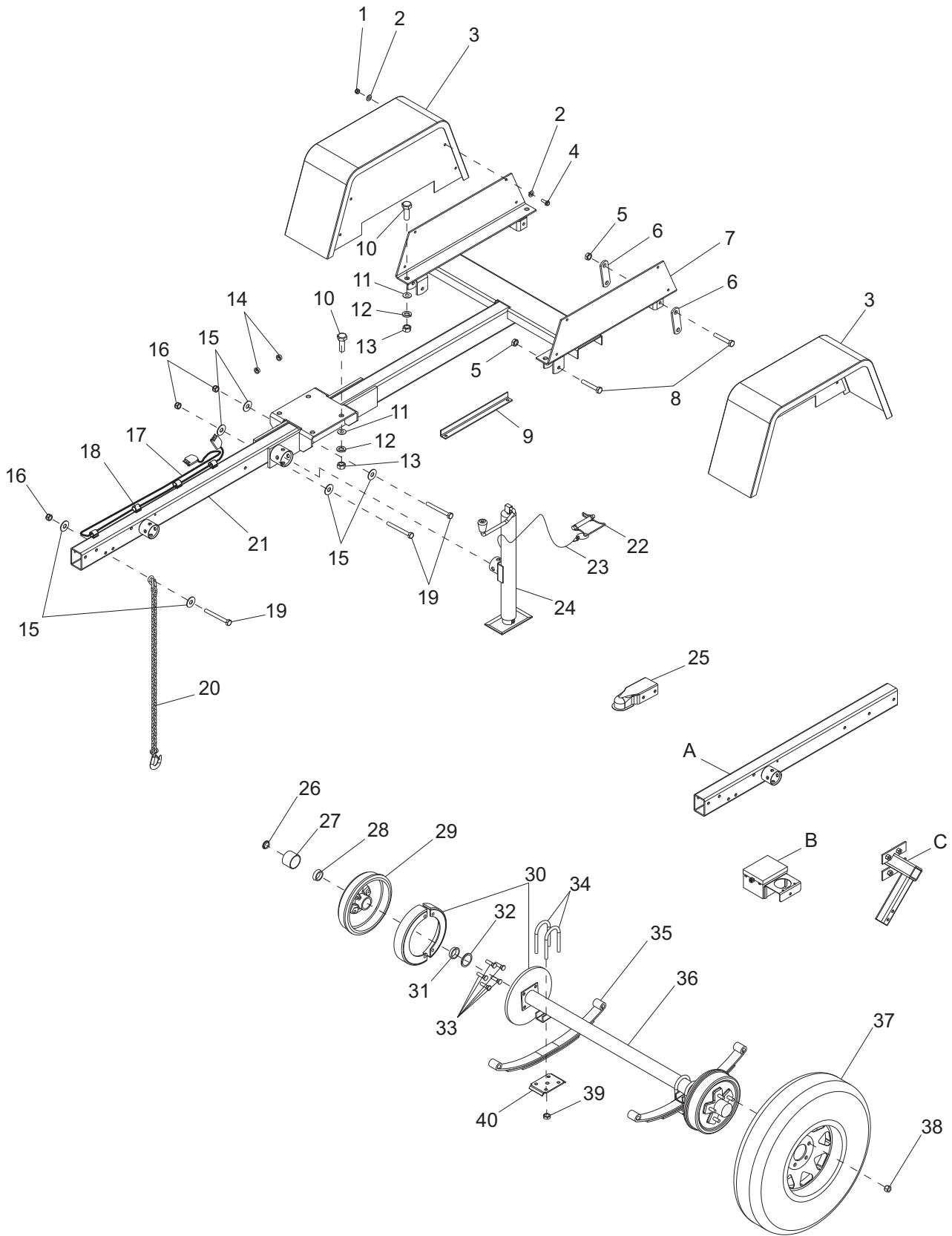
HOODS TO SKID ASSEMBLY



HOODS TO SKID ASSEMBLY

ITEM	PART NO.	QTY	DESCRIPTION	NOTES
1	Page 48	1	Assembly, front hood	
2	60784	2	Nut, .312-18 hex nylock, SS	
3	60696	2	Washer, flat .250 USS, SS	
4	24748B	10	Spacer, rod end	
5	60698	2	Washer, flat .375 USS, SS	
6	61126	1	Screw, shoulder, .375x.750 soc hex - left	
	61062	1	Screw, shoulder, .375x.625 soc hex - right	
7	Page 52	1	Assembly, rear hood	
8	60989	4	Bolt, rod end	
9	60702	4	Washer, .500 split lock	
10	60681	4	Nut, .500-13 hex, SS	
11	60745	4	Pin, clevis- .500 dia. x 1.25 (slic)	

TRAILER ASSEMBLY - SINGLE AXLE



01463

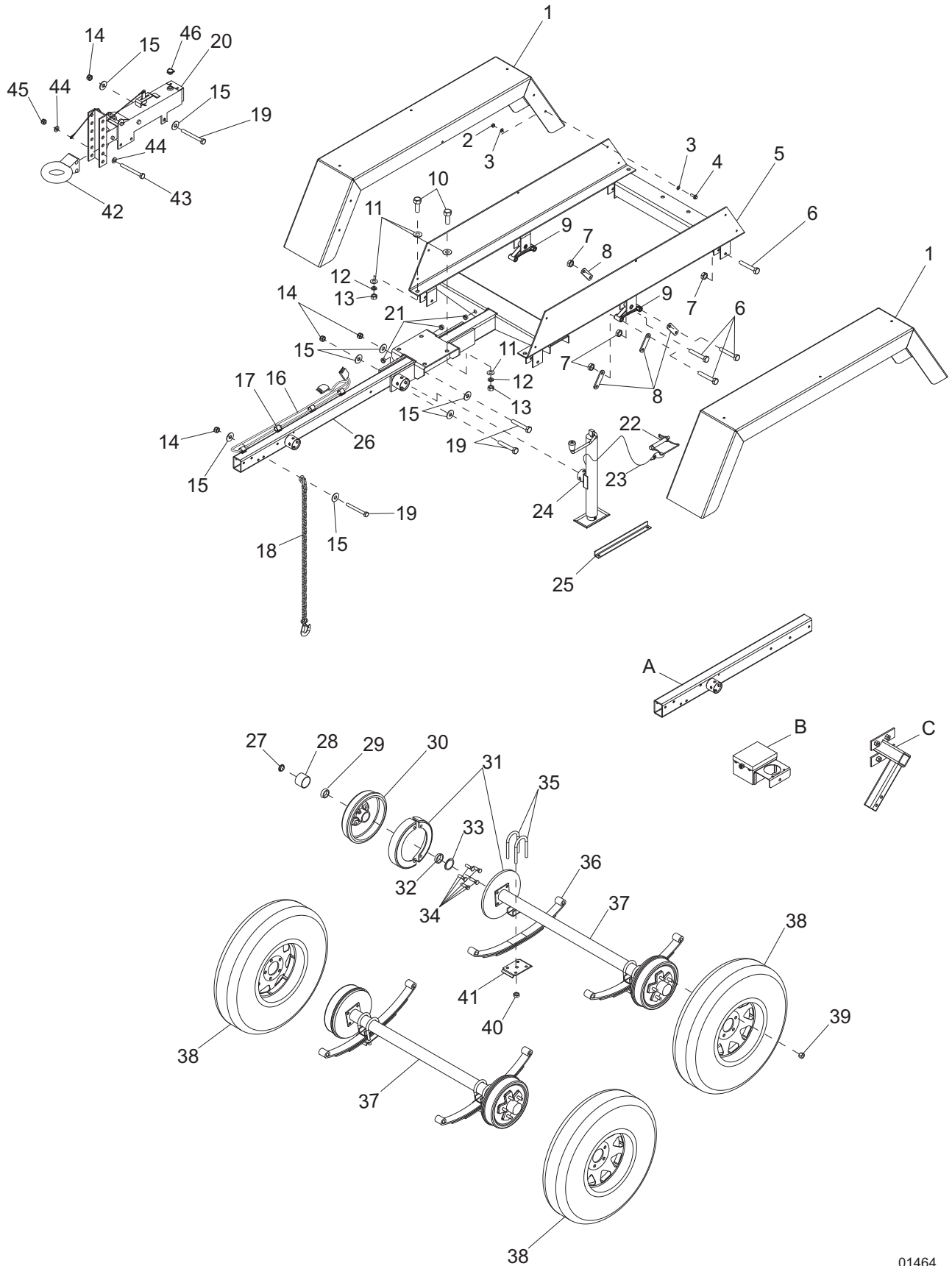
TRAILER ASSEMBLY - SINGLE AXLE

ITEM	PART NO.	QTY	DESCRIPTION	NOTES
1	60140	8	Nut, .375-16 hex	
2	60386	16	Washer, flat .375	
3	22743B	2	Fender, single wheel	
4	60179	8	Screw, .375-16 x .750 std hex	
5	60504	6	Nut, .562-18 L hex	
6	19637	4	Plate, shackle bracket	
7	24811B	1	Weldment, trailer chassis	
8	60503	6	Screw, shackle, .562-18 x 3.00 std hex	
9	24691B	1	Brace, tongue shipping	
10	60383	6	Screw, .750-10 x 1.50 std hex	
11	60247	6	Washer, .750 flat 2.020/.130	
12	60248	6	Washer, .750 split lock	
13	15293	6	Nut, .750-10 hex	
14	22340	2	Bushing, 1.00 OD x .75 ID	
15	60309	14	Washer, .500 flat 1.060/.090	
16	62221	7	Nut, .500-13 nylock, G5	
17	27976	1	Harness, trailer small flip	
--	67856	1	Harness, trailer extension assy 100 in	
18	61010	7	Clamp, tubing - heavy duty	
19	60659	7	Screw, .500-13 x 5.00 std hex	
20	23367	2	Chain, safety - 7,800 lbs	
21	24812B	1	Weldment, flip tongue	Non-adjustable actuator/hitch
22	23256	1	Pin, jack - tube mounted	
23	13944	1	Cable, tether	
24	23254	1	Jack, top wind - 2000 lb. tube mounted	
25	24304	1	Actuator, hyd surge brake-2 in. ball 6000lb	Non-adjustable
26	11254	2	Plug, grease cap - for zerk	
27	23170	2	Cap, grease - w/ rubber plug	
28	24831	2	Roller bearing - outer	
29	26452	2	Brake drum - 12 in. 6 on 5.5 in.	
30	26572	2	Surge brake assy, RH	
--	26571	2	Surge brake assy, LH	
31	24830	2	Roller bearing - inner	
32	24832	2	Bearing seal axle	
33	60963	12	Stud, wheel - axle	
34	40875	4	Axis axle U-bolt	
35	23912	2	Spring, 5000lb axle	
36	22877	1	Axle, 5000#, hydraulic	
37	18377	2	Wheel, ST225/75R15	
38	60096	12	Nut, .500-20 wheel lug	
39	26441	8	Nut, U-bolt, 1/2-20 plated	
40	40874	2	Tie plate	

OPTIONAL FEATURES

A	24824B	1	Weldment, flip tongue
B	12235B	1	Weldment, spare tire holder
C	19417	1	Breakaway Kit
--	26574	2	Electric brake assy, RH
--	26573	2	Electric brake assy, LH
--	22876	1	Axle, 5000#, electric

TRAILER ASSEMBLY - TANDEM AXLE



01464

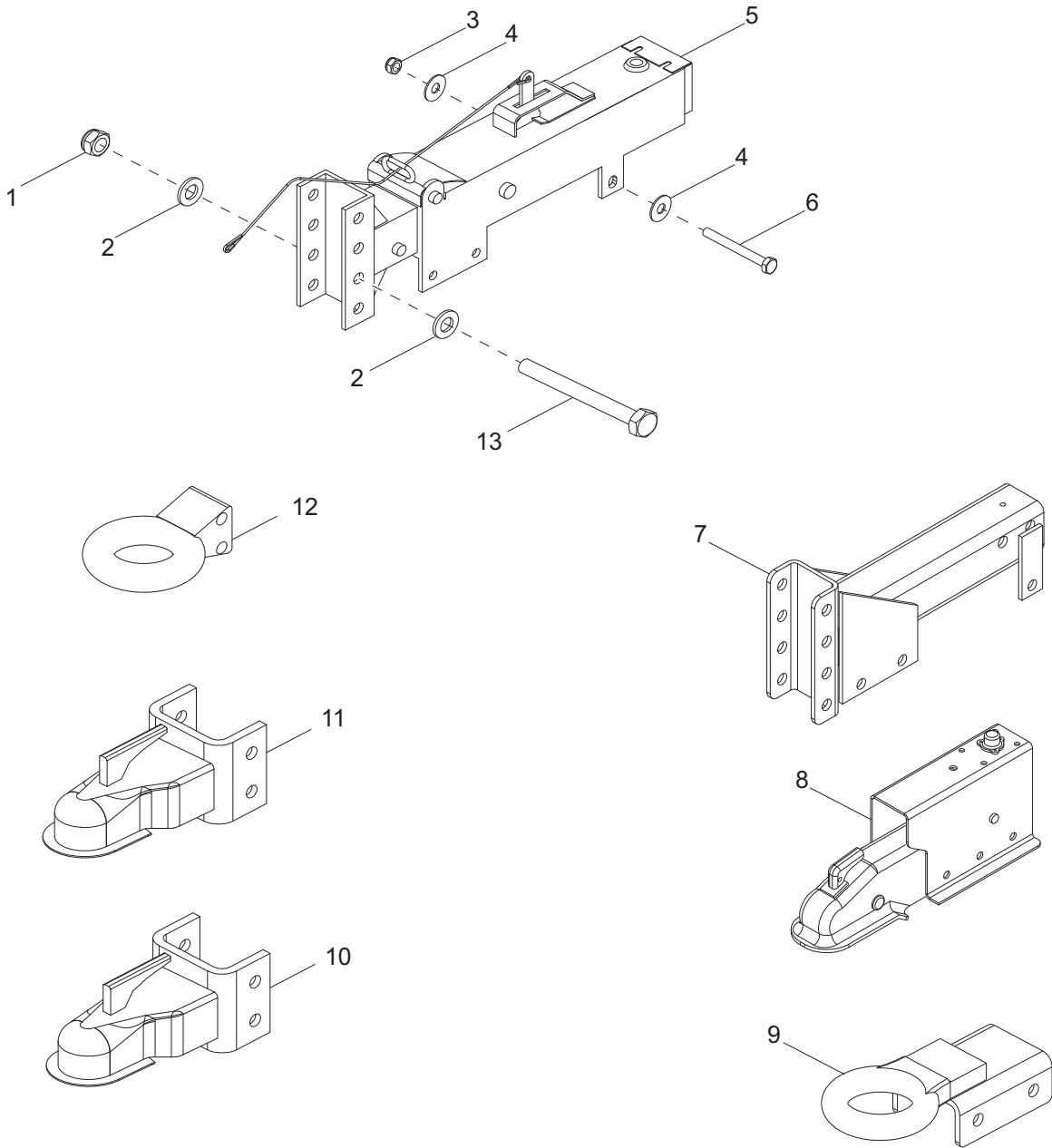
TRAILER ASSEMBLY - TANDEM AXLE

ITEM	PART NO.	QTY	DESCRIPTION	NOTES
1	22976B	2	Weldment, fender tandem	
2	60140	10	Nut, .375-16 hex	
3	60386	20	Washer, flat .375	
4	60179	10	Screw, .375-16 x .750 std hex	
5	24789B	1	Weldment, trailer	
6	60503	14	Screw, shackle, .562-18 x 3.00 std hex	
7	60504	14	Nut, .562-18 L hex	
8	19637	8	Plate, shackle bracket	
9	40545	2	Equalizer, tandem axle	
10	60383	6	Screw, .750-10 x 1.50 std hex	
11	60247	12	Washer, .750 flat 2.020/.130	
12	60248	6	Washer, .750 split lock	
13	15293	6	Nut, .750-10 hex	
14	62221	4	Nut, .500-13 nylock, G5	
15	60416	4	Washer, flat .500	
16	27976	1	Harness, trailer small flip	
17	16143	5	Clamp, tubing - .500	
18	23367	2	Chain, safety - 7,800 lbs	
19	60659	6	Screw, .500-13 x 5.00 std hex	
20	40529	1	Actuator, hyd surge brake	Adjustable
21	22340	4	Bushing, 1.00 OD x .75 ID	
22	23256	1	Pin, jack - 2000lb tube mtd	
23	13944	1	Cable, tether	
24	23254	1	Jack, top wind - 2000 lb. tube mtd	
25	24691B	1	Brace, tongue shipping	
26	24824B	1	Weldment, flip tongue	For adjustable actuator/hitch
27	11254	4	Plug, grease cap - for zerk	
28	11253	4	Cap, grease	
29	40956	4	Bearing, outer	
30	12311	4	Brake drum - 10 in. 5 on 4.5 in	
31	40765	4	10 in. Surge brake assy RH	
--	40764	4	10 in. Surge brake assy LH	
32	40954	4	Bearing, inner	
33	12307	4	Bearing seal DL350	
34	60674	20	Stud, wheel - .500-20, GR8	
35	11277	8	U-bolt, 3500lb	
36	11280	4	Leaf spring 3500lb	
37	19421	2	Axle, 3500lb hydraulic	
38	15540	4	Wheel, ST205/75R15, 1820#-6 PR	
39	60096	20	Nut, .500-20 wheel lug	
40	26441	16	Nut, U-bolt, 1/2-20	
41	11278	4	Tie plate, 3500 lb	
42	19335B	1	Coupler, lunette ring - 3 in. ID	For adjustable actuator/hitch
43	60239	2	Screw, .625-11 x 5.00 std hex	
44	60180	4	Washer, flat .625	
45	60240	2	Nut, .625-11 hex nylock	
46	30248	1	Cap, actuator - sealed	

OPTIONAL FEATURES

A	24812B	1	Weldment, flip tongue
B	12235B	1	Weldment, spare tire holder
C	19417	1	Breakaway Kit
--	26443	4	10 in. Electric brake assy rht
--	26442	4	10 in. Electric brake assy lft
--	19422	2	Axle, 3500lb electric

TRAILER HITCH OPTIONS

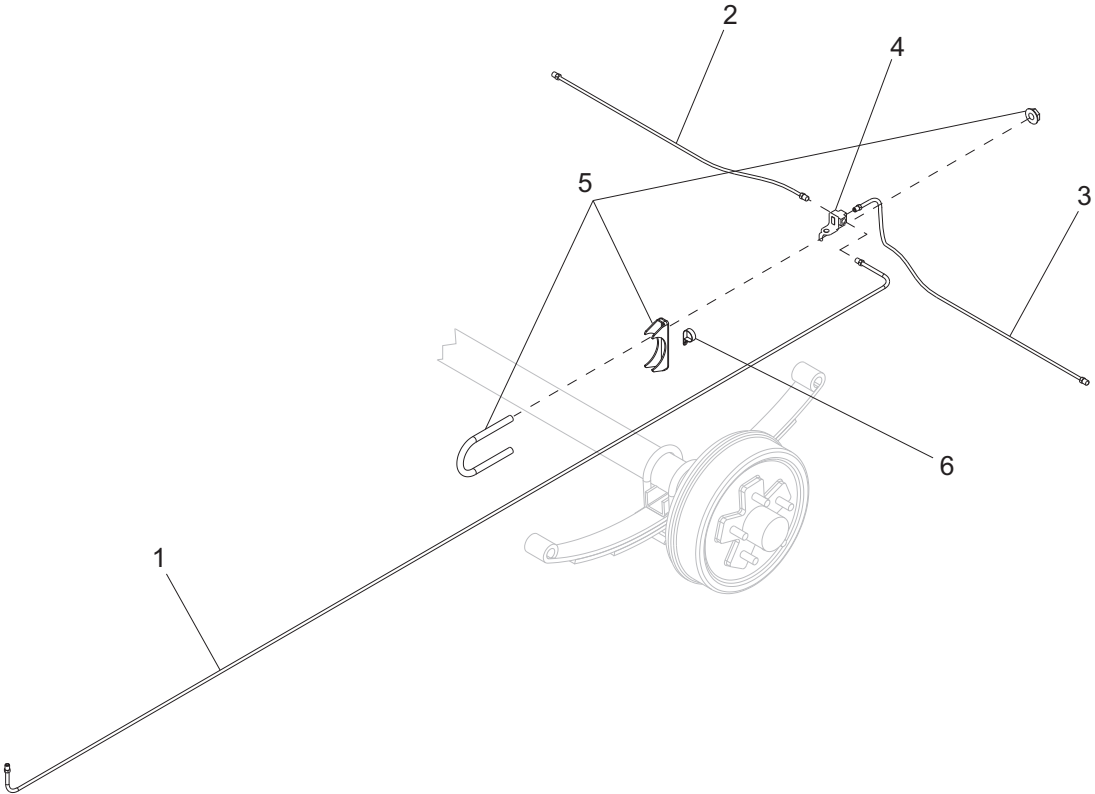


01462

TRAILER HITCH OPTIONS

ITEM	PART NO.	QTY	DESCRIPTION	NOTES
1	60240	2	Nut, .625-11 hex nylock	Single Axle
2	60180	4	Washer, flat .625	Single Axle
3	62221	1	Nut, .500-13 nylock, G5	Single Axle
4	60416	2	Washer, flat .500	Single Axle
5	40529	1	Actuator, hyd srg brk - adj	Single Axle
6	60659	1	Screw, .500-13 x 5.00 std hex	Single Axle
7	19379B	1	Weldment, hitch 4 pos.	
8	24304	1	Actuator, hyd srg brk - 2 in.ball	
--	41762	1	O-ring 24 mm	
9	11032	1	Weldment, lunette ring - 3 in.	
10	19518	1	Coupler, 2 in. ball for adj hitch	
11	19519	1	Coupler, 2.31 ball	Single Axle
12	19335B	1	Coupler, lunette ring - 3 in. adj	Single Axle
13	60239	2	Screw, .625-11 x 5.00 std hex	Single Axle

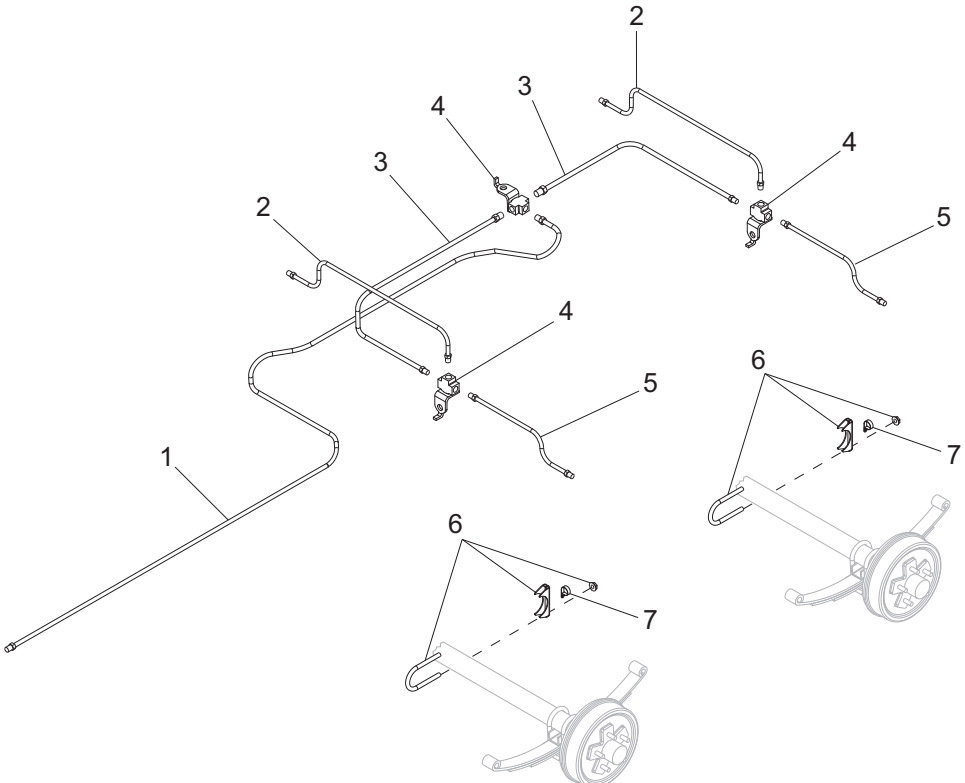
BRAKE LINES - SINGLE AXLE



BRAKE LINES - SINGLE AXLE

ITEM	PART NO.	QTY	DESCRIPTION	NOTES
1	24688	1	Hose, brake-136 in. male/male	
2	40495	1	Line, brake- 20 in	
3	40494	1	Line, brake-30 in	
4	19252	1	Fitting, brake-T w/brckt	
5	61064	1	Clamp, muffler - 3.00	
6	61010	1	Clamp, tubing - .375	

BRAKE LINES - TANDEM AXLE



BRAKE LINES - TANDEM AXLE

ITEM	PART NO.	QTY	DESCRIPTION	NOTES
1	24688	1	Hose, brake - male/male	
2	40494	2	Line, brake - 30 in	
3	40817	2	Hose, brake - 33 in. male/male	
4	19252	3	Fitting, brake-T w/brckt	
5	40495	2	Line, brake - 20 in	
6	61028	2	Clamp, muffler - 2.50	
7	61010	2	Clamp, tubing - .375	

REV: C
PART NO: 20935
06.15.15